



View offers

- > Saloon
- > Estate



Book a  
test drive

- > Saloon
- > Estate



> Find a Retailer



> View the Range Guide

# E-Class

Saloon and Estate



Effective from 21 March 2017 Production.

Mercedes-Benz





View offers [> Saloon](#)  
[> Estate](#)



Book a test drive [> Saloon](#)  
[> Estate](#)



[> Find a Retailer](#)



[> View the Range Guide](#)

# Contents

Model prices	7	Standard equipment	38	Colours and materials	71
Finance offers	10	Wheels	46	Technical data	77
SE, AMG Line and Mercedes-AMG E 43 4MATIC	18	Lane Tracking package	51	Road Fund Licence	90
Premium and Premium Plus equipment lines	24	Driving Assistance Plus package	52	Services and insurance	91
Mercedes-AMG models	26	COMAND Online system	53	Mercedes me	92
Premium equipment line for Mercedes-AMG E 63/S models	32	Night package	54	Mercedes-Benz Finance	94
Mercedes-AMG E 63 and E 63 S driver training	34	AMG Night package	55	Chargemaster Homecharge	96
Pricing summary for model and equipment lines	36	Optional equipment	56		
		Mercedes me applications and services	65		
		Genuine Accessories	67		



View offers

> Saloon

> Estate



Book a  
test drive

> Saloon

> Estate



> Find a Retailer



> View the Range Guide

## The hard facts to melt your heart

At Mercedes-Benz we appreciate the importance of detail. Over the following pages you'll find model prices and a breakdown of standard and optional equipment, as well as details of the comprehensive services and benefits that are available to every Mercedes-Benz driver.

See Mercedes-Benz in a new light. Now is the time to get yourself behind the wheel of an E-Class. Choose from a number of attractive finance offers. Please see pages 10–17 for further details, or visit [www.mercedes-benz.co.uk/offers](http://www.mercedes-benz.co.uk/offers)

Of course, some things have to be experienced to be truly appreciated, such as the qualities that set a Mercedes-Benz apart. Which is why we'd like to invite you for a test drive at your local Mercedes-Benz Retailer. Alternatively, you can make arrangements by visiting [www.mercedes-benz.co.uk/testdrive](http://www.mercedes-benz.co.uk/testdrive)

For more information visit [www.mercedes-benz.co.uk](http://www.mercedes-benz.co.uk) or call 0333 222 0500.



View offers

- > Saloon
- > Estate



Book a test drive

- > Saloon
- > Estate



Find a Retailer



View the Range Guide



Some of the model features, optional extras and colours shown may not be available, or may only be available in a different specification.



View offers

- > Saloon
- > Estate



Book a  
test drive

- > Saloon
- > Estate



Find a Retailer



View the Range Guide



Some of the model features, optional extras and colours shown may not be available, or may only be available in a different specification.



View offers [> Saloon](#)  
[> Estate](#)



Book a test drive [> Saloon](#)  
[> Estate](#)



[> Find a Retailer](#)



[> View the Range Guide](#)



Some of the model features, optional extras and colours shown may not be available, or may only be available in a different specification.



## Model prices – Saloon

Engine	Model line	Transmission	CO <sub>2</sub>	Basic RRP excl. VAT (£)	Total RRP incl. VAT (£)	Road Fund Licence (£) <sup>1</sup>	Rec. OTR price (£) <sup>2</sup>	P11D value (£)	BiK tax rate 2017/18 (%)
<b>E 200 d</b> Diesel – 1,950 cc, 4-cylinder, 150 hp/110 kW	SE	9G-TRONIC PLUS 9-speed automatic	102	28,625.00	34,350.00	140.00	35,160.00	34,965.00	22
	AMG Line	9G-TRONIC PLUS 9-speed automatic	112	30,704.17	36,845.00	160.00	37,675.00	37,460.00	24
<b>E 220 d</b> Diesel – 1,950 cc, 4-cylinder, 194 hp/143 kW	SE	9G-TRONIC PLUS 9-speed automatic	102	29,870.83	35,845.00	140.00	36,655.00	36,460.00	22
	AMG Line	9G-TRONIC PLUS 9-speed automatic	112	31,950.00	38,340.00	160.00	39,170.00	38,955.00	24
<b>E 220 d 4MATIC</b> Diesel – 1,950 cc, 4-cylinder, 194 hp/143 kW	SE	9G-TRONIC PLUS 9-speed automatic	117	31,120.83	37,345.00	160.00	38,175.00	37,960.00	25
	AMG Line	9G-TRONIC PLUS 9-speed automatic	129	33,200.00	39,840.00	160.00	40,670.00	40,455.00	27
<b>E 350 d</b> Diesel – 2,987 cc, 6-cylinder, 258 hp/190 kW	SE	9G-TRONIC PLUS 9-speed automatic	136	37,258.33	44,710.00	200.00	45,580.00	45,325.00	29
	AMG Line	9G-TRONIC PLUS 9-speed automatic	144	39,337.50	47,205.00	200.00	48,075.00	47,820.00	30

<sup>1</sup> A different first year rate of Vehicle Excise Duty (Road Fund Licence) applies for new cars. Please refer to page 90 for the relevant rate for the second and subsequent years

<sup>2</sup> Recommended on-the-road price: these prices reflect the Road Fund Licence applicable to the standard model plus £670.00 additional costs necessary to put your car on the road. Included are a standard UK delivery charge (£540.00 incl. VAT), new vehicle registration fee (£55.00), number plates (£25.00 incl. VAT) and fuel (£50.00 incl. VAT). VAT is calculated at the standard rate of 20%



View offers > Saloon  
> Estate



Book a test drive > Saloon  
> Estate



> Find a Retailer



> View the Range Guide

Engine	Model line	Transmission	CO <sub>2</sub>	Basic RRP excl. VAT (£)	Total RRP incl. VAT (£)	Road Fund Licence (£) <sup>1</sup>	Rec. OTR price (£) <sup>2</sup>	P11D value (£)	BiK tax rate 2017/18 (%)
<b>E 350 e</b> Petrol – 1,991 cc, 4-cylinder, 211 hp/155 kW Electric motor – 82 hp/60 kW	SE	9G-TRONIC PLUS 9-speed automatic	49	37,366.67	44,840.00	0.00	45,510.00	45,455.00	9
	AMG Line	9G-TRONIC PLUS 9-speed automatic	57	39,445.83	47,335.00	15.00	48,020.00	47,950.00	13
<b>Mercedes-AMG</b>									
<b>Mercedes-AMG E 43 4MATIC</b> Petrol – 2,996 cc, 6-cylinder, 401 hp/295 kW	–	9G-TRONIC PLUS 9-speed automatic	192	46,170.83	55,405.00	1,200.00	57,275.00	56,020.00	37
<b>Mercedes-AMG E 63 4MATIC+</b> Petrol – 3,982 cc, 8-cylinder, 571 hp/420 kW	–	AMG SPEEDSHIFT MCT 9-speed automatic	207	64,220.83	77,065.00	1,200.00	78,935.00	77,680.00	37
<b>Mercedes-AMG E 63 S 4MATIC+</b> Petrol – 3,982 cc, 8-cylinder, 612 hp/450 kW	–	AMG SPEEDSHIFT MCT 9-speed automatic	207	72,020.83	86,425.00	1,200.00	88,295.00	87,040.00	37
	Edition 1	AMG SPEEDSHIFT MCT 9-speed automatic	207	87,262.50	104,715.00	1,200.00	106,585.00	105,330.00	37

<sup>1</sup>A different first year rate of Vehicle Excise Duty (Road Fund Licence) applies for new cars. Please refer to page 90 for the relevant rate for the second and subsequent years

<sup>2</sup>Recommended on-the-road price: these prices reflect the Road Fund Licence applicable to the standard model plus £670.00 additional costs necessary to put your car on the road. Included are a standard UK delivery charge (£540.00 incl. VAT), new vehicle registration fee (£55.00), number plates (£25.00 incl. VAT) and fuel (£50.00 incl. VAT). VAT is calculated at the standard rate of 20%





## Model prices – Estate

Engine	Model line	Transmission	CO <sub>2</sub>	Basic RRP excl. VAT (£)	Total RRP incl. VAT (£)	Road Fund Licence (£) <sup>1</sup>	Rec. OTR price (£) <sup>2</sup>	P11D value (£)	BiK tax rate 2017/18 (%)
<b>E 200 d</b> Diesel – 1,950 cc, 4-cylinder, 150 hp/110 kW	SE	9G-TRONIC PLUS 9-speed automatic	109	30,291.67	36,350.00	140.00	37,160.00	36,965.00	23
	AMG Line	9G-TRONIC PLUS 9-speed automatic	120	32,370.83	38,845.00	160.00	39,675.00	39,460.00	26
<b>E 220 d</b> Diesel – 1,950 cc, 4-cylinder, 194 hp/143 kW	SE	9G-TRONIC PLUS 9-speed automatic	109	31,537.50	37,845.00	140.00	38,655.00	38,460.00	23
	AMG Line	9G-TRONIC PLUS 9-speed automatic	120	33,616.67	40,340.00	160.00	41,170.00	40,955.00	26
<b>E 220 d 4MATIC</b> Diesel – 1,950 cc, 4-cylinder, 194 hp/143 kW	SE	9G-TRONIC PLUS 9-speed automatic	126	32,787.50	39,345.00	160.00	40,175.00	39,960.00	27
	AMG Line	9G-TRONIC PLUS 9-speed automatic	137	34,866.67	41,840.00	200.00	42,710.00	42,455.00	29
<b>E 350 d</b> Diesel – 2,987 cc, 6-cylinder, 258 hp/190 kW	SE	9G-TRONIC PLUS 9-speed automatic	143	38,925.00	46,710.00	200.00	47,580.00	47,325.00	30
	AMG Line	9G-TRONIC PLUS 9-speed automatic	151	41,004.17	49,205.00	500.00	50,375.00	49,820.00	32
<b>Mercedes-AMG</b>									
<b>Mercedes-AMG E 43 4MATIC</b> Petrol – 2,996 cc, 6-cylinder, 401 hp/295 kW	-	9G-TRONIC PLUS 9-speed automatic	197	47,837.50	57,405.00	1,200.00	59,275.00	58,020.00	37

<sup>1</sup> A different first year rate of Vehicle Excise Duty (Road Fund Licence) applies for new cars. Please refer to page 90 for the relevant rate for the second and subsequent years

<sup>2</sup> Recommended on-the-road price: these prices reflect the Road Fund Licence applicable to the standard model plus £670.00 additional costs necessary to put your car on the road. Included are a standard UK delivery charge (£540.00 incl. VAT), new vehicle registration fee (£55.00), number plates (£25.00 incl. VAT) and fuel (£50.00 incl. VAT). VAT is calculated at the standard rate of 20%



View offers  
 > Saloon  
 > Estate



Book a test drive  
 > Saloon  
 > Estate



> Find a Retailer



> View the Range Guide

# Mercedes-Benz Finance

As you'd expect with models of efficiency, the repayments aren't excessive



## E 220 d SE Saloon with optional metallic paint (representative example)

*Based on 10,000 miles per annum*

36 monthly payments of <sup>1</sup>	£349.00
Customer deposit	£5,999.00
On-the-road price	£37,300.00
Retailer deposit contribution	£4,338.76
Optional purchase payment <sup>2</sup>	£17,725.00
Amount of credit	£26,962.24
Duration of agreement	36 months
Total amount payable <sup>3</sup>	£40,636.76
Purchase activation fee <sup>2</sup>	£10.00
APR	5.0%
Fixed interest rate	4.91%
Excess mileage	10.8p per mile



### Example offers – 5.0% APR Representative

	Automatic	Metallic	On-the-road price	Retailer deposit contribution	Customer deposit	36 monthly payments of <sup>1</sup>
E 220 d AMG Line Saloon	●	○	£39,815.00	£4,212.02	£5,999.00	£399.00

● Standard equipment ○ Optional equipment included in the price

### Mercedes-Benz Service Care

- Mercedes-Benz trained Technicians
- Maintained by Mercedes-Benz Retailers
- Meets requirements of Mercedes-Benz Agility finance agreement

### Mercedes-Benz Motor Insurance

- 24/7 UK accident recovery
- We use Mercedes-Benz GenuineParts
- To qualify for up to 10% discount online, go to [www.mercedes-benz.co.uk/motorinsurance](http://www.mercedes-benz.co.uk/motorinsurance)
- Alternatively, call Mercedes-Benz Motor Insurance now on **0345 600 2180<sup>4</sup>** for an annual quote

We may decline to quote in some circumstances. Mercedes-Benz Motor Insurance is underwritten by Aviva Insurance Limited

Content relating to finance is promoted by Mercedes-Benz Finance. Your Retailer may offer finance on behalf of other companies.

Orders/credit approvals on selected E-Class Saloon models only, between 1 April and 30 June 2017, registered by 30 September 2017; excluding Mercedes-AMG models. Some combinations of features/options may not be available. Please contact your local Mercedes-Benz Retailer for availability

<sup>1</sup>Based on a Mercedes-Benz Agility agreement. Vehicle condition, excess mileage and other charges may be payable. Quotations available on request for alternative contract lengths and mileages. Guarantees may be required.

Credit provided, subject to status, by Mercedes-Benz Finance, MK15 8BA

<sup>2</sup>Payable if you exercise the option to purchase the car

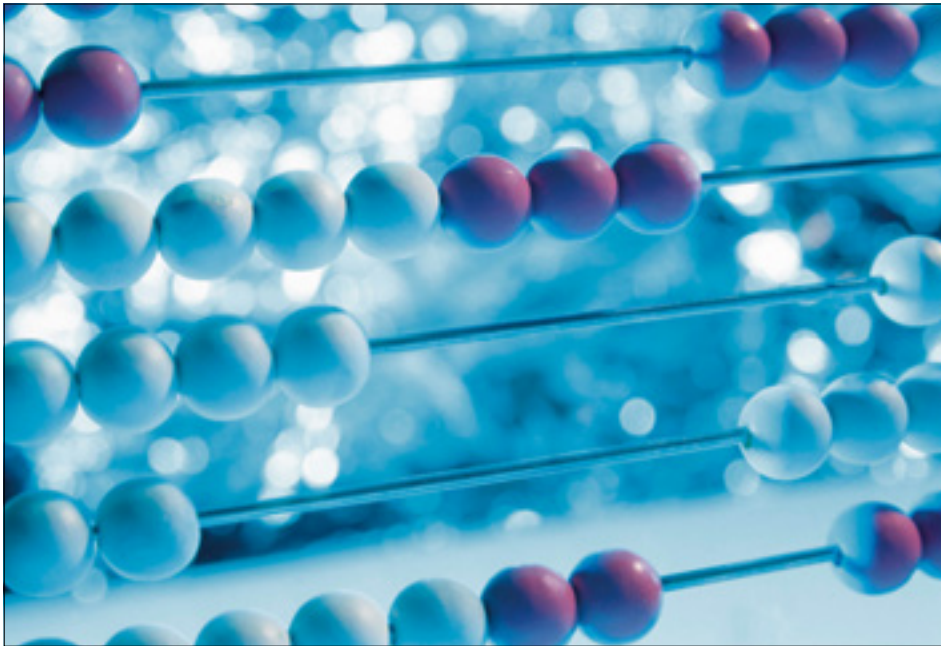
<sup>3</sup>Includes optional purchase payment, purchase activation fee and Retailer deposit contribution (where applicable)

<sup>4</sup>Calls are charged at local rate and may be recorded



# Mercedes-Benz Finance

As you'd expect with models of efficiency, the repayments aren't excessive



## Mercedes-AMG E 43 Saloon with optional metallic paint (representative example)

*Based on 10,000 miles per annum*

36 monthly payments of <sup>1</sup>	£850.62
Customer deposit	£9,115.83
On-the-road price	£57,920.00
Optional purchase payment <sup>2</sup>	£24,400.00
Amount of credit	£48,804.17
Duration of agreement	36 months
Total amount payable <sup>3</sup>	£64,148.15
Purchase activation fee <sup>2</sup>	£10.00
APR	5.7%
Fixed interest rate	5.56%
Excess mileage	16.8p per mile



### Example offers – 5.7% APR Representative

	Automatic	Metallic	On-the-road price	Customer deposit	36 monthly payments of <sup>1</sup>
Mercedes-AMG E 63 4MATIC+ Saloon	●	○	£79,580.00	£9,999.00	£1,257.21

● Standard equipment ○ Optional equipment included in the price

### Mercedes-Benz Service Care

- Mercedes-Benz trained Technicians
- Maintained by Mercedes-Benz Retailers
- Meets requirements of Mercedes-Benz Agility finance agreement

### Mercedes-Benz Motor Insurance

- 24/7 UK accident recovery
- We use Mercedes-Benz GenuineParts
- To qualify for up to 10% discount online, go to [www.mercedes-benz.co.uk/motorinsurance](http://www.mercedes-benz.co.uk/motorinsurance)
- Alternatively, call Mercedes-Benz Motor Insurance now on **0345 600 2180**<sup>4</sup> for an annual quote

We may decline to quote in some circumstances. Mercedes-Benz Motor Insurance is underwritten by Aviva Insurance Limited

Content relating to finance is promoted by Mercedes-Benz Finance. Your Retailer may offer finance on behalf of other companies.

Orders/credit approvals on selected Mercedes-AMG E-Class Saloon models only, between 1 April and 30 June 2017, registered by 30 September 2017; excluding non-Mercedes-AMG models. Some combinations of features/options may not be available. Please contact your local Mercedes-Benz Retailer for availability

<sup>1</sup>Based on a Mercedes-Benz Agility agreement. Vehicle condition, excess mileage and other charges may be payable. Quotations available on request for alternative contract lengths and mileages. Guarantees may be required.

Credit provided, subject to status, by Mercedes-Benz Finance, MK15 8BA

<sup>2</sup>Payable if you exercise the option to purchase the car

<sup>3</sup>Includes optional purchase payment, purchase activation fee and Retailer deposit contribution (where applicable)

<sup>4</sup>Calls are charged at local rate and may be recorded



View offers  
 > Saloon  
 > Estate



Book a test drive  
 > Saloon  
 > Estate



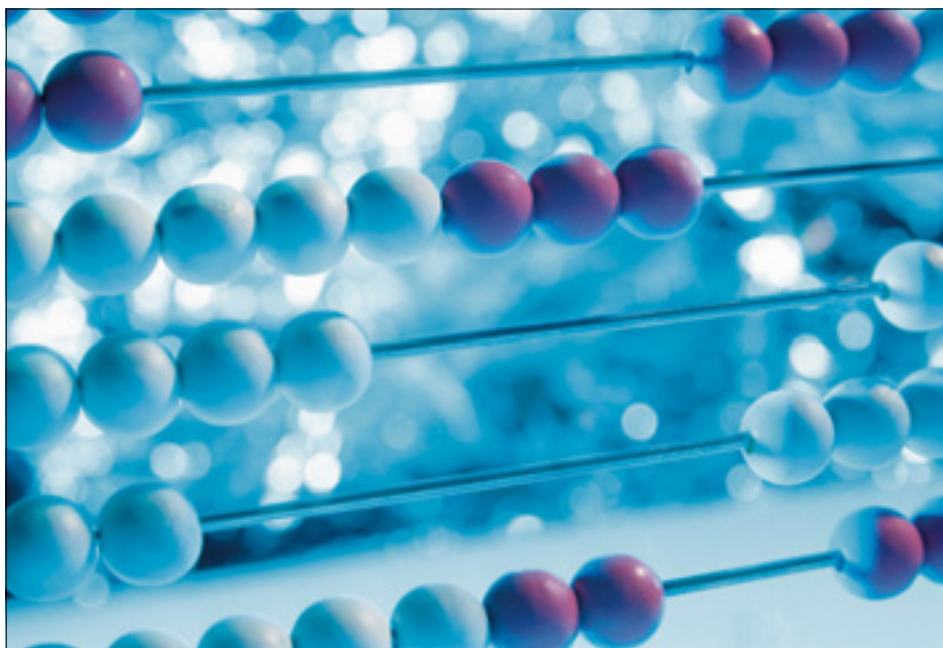
> Find a Retailer



> View the Range Guide

# Mercedes-Benz Finance

Where the clever money goes



## E 220d SE Estate with optional metallic paint (representative example)

*Based on 10,000 miles per annum*

36 monthly payments of <sup>1</sup>	£389.00
Customer deposit	£5,999.00
On-the-road price	£39,300.00
Retailer deposit contribution	£3,944.80
Optional purchase payment <sup>2</sup>	£18,950.00
Amount of credit	£29,356.20
Duration of agreement	36 months
Total amount payable <sup>3</sup>	£42,907.80
Purchase activation fee <sup>2</sup>	£10.00
APR	5.0%
Fixed interest rate	4.91%
Excess mileage	10.8p per mile



### Example offers – 5.0% APR Representative

	Automatic	Metallic	On-the-road price	Retailer deposit contribution	Customer deposit	36 monthly payments of <sup>1</sup>
E 220 d AMG Line Estate	●	○	£41,815.00	£3,530.12	£6,399.00	£435.00

● Standard equipment ○ Optional equipment included in the price

### Mercedes-Benz Service Care

- Mercedes-Benz trained Technicians
- Maintained by Mercedes-Benz Retailers
- Meets requirements of Mercedes-Benz Agility finance agreement

### Mercedes-Benz Motor Insurance

- 24/7 UK accident recovery
- We use Mercedes-Benz GenuineParts
- To qualify for up to 10% discount online, go to [www.mercedes-benz.co.uk/motorinsurance](http://www.mercedes-benz.co.uk/motorinsurance)
- Alternatively, call Mercedes-Benz Motor Insurance now on **0345 600 2180**<sup>4</sup> for an annual quote

We may decline to quote in some circumstances. Mercedes-Benz Motor Insurance is underwritten by Aviva Insurance Limited

Content relating to finance is promoted by Mercedes-Benz Finance. Your Retailer may offer finance on behalf of other companies.

Orders/credit approvals on selected E-Class Estate models only, between 1 April and 30 June 2017, registered by 30 September 2017; excluding Mercedes-AMG models. Some combinations of features/options may not be available. Please contact your local Mercedes-Benz Retailer for availability

<sup>1</sup>Based on a Mercedes-Benz Agility agreement. Vehicle condition, excess mileage and other charges may be payable. Quotations available on request for alternative contract lengths and mileages. Guarantees may be required.

Credit provided, subject to status, by Mercedes-Benz Finance, MK15 8BA

<sup>2</sup>Payable if you exercise the option to purchase the car

<sup>3</sup>Includes optional purchase payment, purchase activation fee and Retailer deposit contribution (where applicable)

<sup>4</sup>Calls are charged at local rate and may be recorded



View offers  
 > Saloon  
 > Estate



Book a test drive  
 > Saloon  
 > Estate



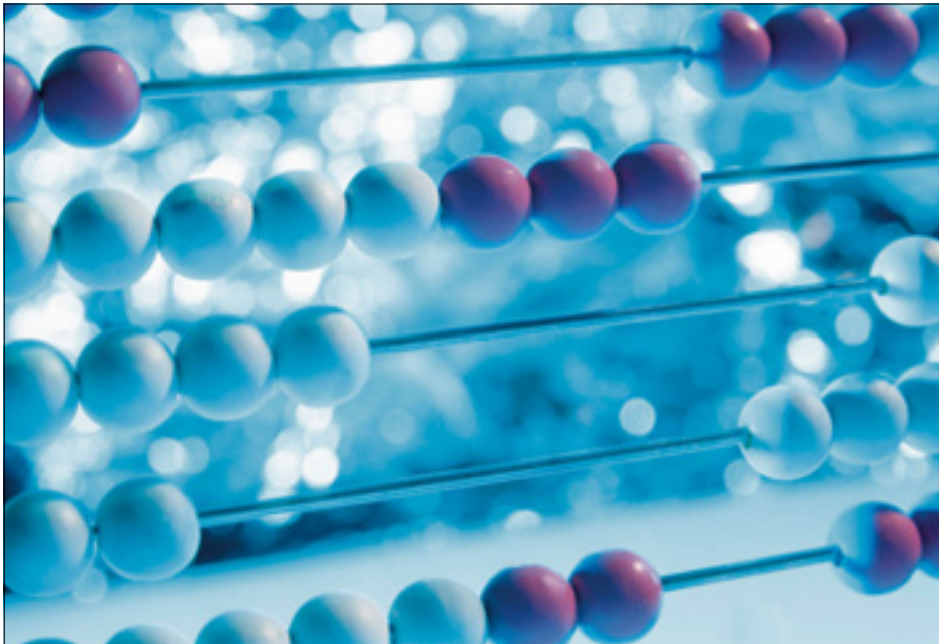
> Find a Retailer



> View the Range Guide

# Mercedes-Benz Finance

As you'd expect with models of efficiency, the repayments aren't excessive



## Mercedes-AMG E 43 Estate with optional metallic paint (representative example)

*Based on 10,000 miles per annum*

36 monthly payments of <sup>1</sup>	£879.79
Customer deposit	£9,134.63
On-the-road price	£59,920.00
Optional purchase payment <sup>2</sup>	£25,600.00
Amount of credit	£50,785.37
Duration of agreement	36 months
Total amount payable <sup>3</sup>	£66,417.07
Purchase activation fee <sup>2</sup>	£10.00
APR	5.7%
Fixed interest rate	5.56%
Excess mileage	16.8p per mile





### Example offers – 5.7% APR Representative

	Automatic	Metallic	On-the-road price	Customer deposit	36 monthly payments of <sup>1</sup>
Mercedes-AMG E 43 Estate	●	○	£59,920.00	£9,134.63	£879.79

● Standard equipment ○ Optional equipment included in the price

### Mercedes-Benz Service Care

- Mercedes-Benz trained Technicians
- Maintained by Mercedes-Benz Retailers
- Meets requirements of Mercedes-Benz Agility finance agreement

### Mercedes-Benz Motor Insurance

- 24/7 UK accident recovery
- We use Mercedes-Benz GenuineParts
- To qualify for up to 10% discount online, go to [www.mercedes-benz.co.uk/motorinsurance](http://www.mercedes-benz.co.uk/motorinsurance)
- Alternatively, call Mercedes-Benz Motor Insurance now on **0345 600 2180<sup>4</sup>** for an annual quote

We may decline to quote in some circumstances. Mercedes-Benz Motor Insurance is underwritten by Aviva Insurance Limited

Content relating to finance is promoted by Mercedes-Benz Finance. Your Retailer may offer finance on behalf of other companies.

Orders/credit approvals on selected Mercedes-AMG E-Class Estate models only, between 1 April and 30 June 2017, registered by 30 September 2017; excluding non-Mercedes-AMG models. Some combinations of features/options may not be available. Please contact your local Mercedes-Benz Retailer for availability

<sup>1</sup>Based on a Mercedes-Benz Agility agreement. Vehicle condition, excess mileage and other charges may be payable. Quotations available on request for alternative contract lengths and mileages. Guarantees may be required.

Credit provided, subject to status, by Mercedes-Benz Finance, MK15 8BA

<sup>2</sup>Payable if you exercise the option to purchase the car

<sup>3</sup>Includes optional purchase payment, purchase activation fee and Retailer deposit contribution (where applicable)

<sup>4</sup>Calls are charged at local rate and may be recorded



View offers [> Saloon](#)  
[> Estate](#)



Book a test drive [> Saloon](#)  
[> Estate](#)



[> Find a Retailer](#)



[> View the Range Guide](#)

# E-Class SE



Interior shows optional Driving Assistance Plus package



View offers > Saloon  
> Estate



Book a test drive > Saloon  
> Estate



> Find a Retailer



> View the Range Guide

The E-Class SE model line comes with either 17" or 18" 5-spoke alloy wheels, depending on engine. Innovative technology includes High Performance LED head and tail lamps, Parking Pilot including PARKTRONIC and reversing camera. The interior is equipped with leather upholstery and heated front seats, ambient lighting with 64 colour settings, KEYLESS-GO starting function and a 3-spoke multi-function steering wheel. The new E-Class Estate also has rear split folding seats, EASY-PACK automatic powered tailgate and

chrome roof rails for stylish versatility. Garmin® MAP PILOT navigation and the Audio 20 USB multimedia system (8.4-inch display) are standard. The 350 d and 350 e engine models feature COMAND Online system (12.3-inch display), smartphone integration with Android Auto and Apple CarPlay™ as well as the adjustable multi-chamber AIR BODY CONTROL air suspension which increases ride comfort and stability.




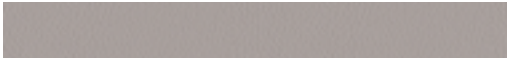
#### Exterior

17" alloy wheels – 5-spoke design
18" alloy wheels <sup>1</sup>
Active Brake Assist
AGILITY CONTROL suspension
AIR BODY CONTROL air suspension <sup>1</sup>
DYNAMIC SELECT with a choice of driving modes
EASY-PACK automatic powered tailgate (Estate only)
Electrically folding mirrors and dimming rear-view mirror
Headlamps – High Performance LED head and tail lamps
Parking Pilot including PARKTRONIC and reversing camera
Roof rails – chrome (Estate only)
SPEEDTRONIC cruise control and variable speed limiter

#### Interior

Ambient lighting – 64 colours
Audio 20 USB multimedia system with 8.4-inch display
COMAND Online with 12.3-inch media display <sup>1,2</sup>
DAB digital radio tuner
Garmin® MAP PILOT navigation system
Heated front seats with leather upholstery
KEYLESS-GO starting function
Seats – rear, split folding 40:20:40 (Estate only)
Smartphone integration with Android Auto and Apple CarPlay™ <sup>1</sup>
Steering wheel – 3-spoke multifunction steering wheel trimmed in nappa leather with touch-control buttons
Touchpad with multi-touch control <sup>1</sup>

#### Trim and Upholstery

Aluminium with trapeze cut

Leather – black

Leather – hazelnut brown/black

Leather – macchiato beige/black


<sup>1</sup>E350 d/E350 e only <sup>2</sup>COMAND Online functionality and Wi-Fi connectivity is dependent on a compatible cellular data connection. Please check with your local Mercedes-Benz Retailer on network compatibility



View offers

- > Saloon
- > Estate



Book a test drive

- > Saloon
- > Estate



Find a Retailer



View the Range Guide

## E-Class AMG Line



E-Class Estate shown above features optional Premium Plus equipment line, nappa leather and COMAND Online system



View offers

> Saloon

> Estate



Book a test drive

> Saloon

> Estate



> Find a Retailer



> View the Range Guide

The E-Class AMG Line – available for the Saloon and the new Estate models – takes its cues from our AMG performance experts, focused on sporty design as well as athletic handling. 19" AMG 5-twin spoke alloy wheels painted titanium grey feature, as does AMG bodystyling for front and rear apron and side skirts. Perforated brake discs with ‘Mercedes-Benz’ lettering complement the look of the AMG Line. Inside, you’ll find the 3-spoke multi-function AMG steering wheel in black nappa leather with flattened bottom section, chrome inserts and touch-control buttons. Driver and front

passenger can enjoy the electro-pneumatic four-way lumbar support which form part of the Seat Comfort package. Further interior highlights are AMG sports pedals with rubber studs, ARTICO leather<sup>1</sup>/DINAMICA microfibre upholstery and open-pore ash wood trim in black.

**AMG Line upgrade** – designed and priced as a package, including additional luxury items as listed below.

**Upgrade price (from SE)**

**Total incl. VAT<sup>2</sup> £2,495.00**

#### Exterior

---

19" AMG alloy wheels – 5-twin-spoke design, painted in titanium grey

---

AMG bodystyling – front and rear apron, side sill panels

---

Brake discs – perforated, with ‘Mercedes-Benz’ lettering

---

#### Interior

---

ARTICO leather<sup>1</sup> upper dashboard and beltlines with contrast stitching

---

Black open-pore ash wood trim

---

Black roof lining

---

Brushed stainless steel AMG sports pedals with black rubber studs

---

Seat Comfort package – driver and front passenger seat. Electro-pneumatic four-way lumbar support and manual seat cushion depth adjustment (6 cm)

---

Silver door pins

---

Steering wheel – 3-spoke multifunction AMG steering wheel in black nappa leather with flattened bottom section, chrome inserts with touch-control buttons

---

#### Trim and Upholstery

---

Black open-pore ash wood

---



ARTICO leather<sup>1</sup>/DINAMICA microfibre – black

---





View offers  
 > Saloon  
 > Estate



Book a test drive  
 > Saloon  
 > Estate



> Find a Retailer



> View the Range Guide

# Mercedes-AMG E 43 4MATIC



Optional equipment shown: Premium Plus equipment line (code DP1); Driving Assistance Plus package (code P20); and widescreen (12.3-inch) cockpit display (code 464)



View offers

> Saloon

> Estate



Book a test drive

> Saloon

> Estate



> Find a Retailer



> View the Range Guide

The new Mercedes-AMG E 43 4MATIC Saloon offers impressive driving dynamics coupled with cutting-edge efficiency and athletic style. The 3.0-litre V6 biturbo engine delivers powerful 401 hp (295 kW) yet keeps fuel consumption and emissions to a minimum. The bold, sporty exterior is characterised by 19" AMG 5-twin spoke AMG alloy wheels, the iconic diamond radiator grille with chrome pins, as well as 'BITURBO 4MATIC' lettering on the front wings. Also standard are AMG bodystyling featuring

a front apron with distinctive air intakes, AMG side sill panels and an AMG diffusor-look rear apron. On entering the cabin, the central screen lights up with the AMG logo on the central screen. The interior is fitted with an ARTICO leather<sup>1</sup> dashboard revealing red contrast stitching, while the black nappa leather seats feature red contrast stitching and red seat belts. The floor mats repeat the striking theme with black leather edging, red piping and AMG logo.

### Exterior

19" AMG alloy wheels – 5-twin-spoke bicolour

AMG bodystyling – front apron with distinctive air intakes, AMG side sill panels and AMG rear apron with diffuser look

AMG DYNAMIC SELECT with a choice of driving modes

'AMG' lettering on front brake calipers

AMG RIDE CONTROL sports suspension based on AIR BODY CONTROL air suspension

AMG spoiler lip on boot lid in body colour

AMG sports exhaust system

'BITURBO 4MATIC' lettering on front wings

Black mirror housings

Diamond grille with integrated star, chrome pins and 'AMG' lettering

### Interior

AMG boot logo in central screen

ARTICO leather<sup>1</sup> dashboard with red contrast stitching

Floor mats – with black leather edging, red piping and AMG logo

Front door sill panels with 'AMG' lettering

Nappa leather black with red contrast stitching

Red seat belts

Seats – rear, split folding 40:20:40

### Trim and Upholstery

Aluminium with trapeze cut



Nappa leather – black with red contrast stitching



Nappa leather – hazelnut brown/black



Nappa leather – macchiato beige/black



<sup>1</sup>Man-made leather



View offers > Saloon  
> Estate



Book a test drive > Saloon  
> Estate



> Find a Retailer



> View the Range Guide

## Premium and Premium Plus equipment lines for SE, AMG Line and Mercedes-AMG E 43 4MATIC



KEYLESS-GO Comfort package



Panoramic electric glass sunroof



Memory package



Burmester® surround sound system



MULTIBEAM LED Intelligent Light System





Why not look over our equipment lines to enhance and personalise your choice of new car? If you want to increase your comfort and add the best in entertainment to the SE, AMG Line or Mercedes-AMG E43 4MATIC, the Premium and Premium Plus equipment lines do just that.

Package comprises:	Notes	Premium £2,795.00 <sup>1</sup> (code DPO)	Premium Plus £3,895.00 <sup>1</sup> (code DP1)
KEYLESS-GO Comfort package	Including hands-free access, automatic powered boot closing, keyless entry and keyless start	■	■
Memory package	Driver's seat, front passenger seat, steering column and exterior mirrors – electrically adjustable with memory; includes electro-pneumatic four-way lumbar support and seat cushion depth adjustment (6 cm)	■	■
Panoramic glass sunroof	Consisting of a fixed panoramic glass rear section and an electrically-operated sliding glass front section, the glass roof provides additional light and ventilation into the car	■	■
Burmester® surround sound system	13 speakers and a 9-channel amplifier with total output of 590 watts	–	■
MULTIBEAM LED Intelligent Light System	Headlamps with 84 individually-controlled LEDs, integrated daytime running lamps, Active Light System, cornering light function, motorway mode function, enhanced fog lamp function, Adaptive Highbeam Assist and locator lighting	–	■



View offers  
▶ Saloon  
▶ Estate



Book a test drive  
▶ Saloon  
▶ Estate



Find a Retailer



View the Range Guide

# Mercedes-AMG E 63 4MATIC+





One of the most powerful E-Classes of all time, the E 63 4MATIC+ delivers 571 hp (420 kW) and 750 Nm. The V8 turbo engine is supported by benchmark-setting technology including fully-variable 4MATIC+ all-wheel drive and AMG RIDE CONTROL sports suspension based on AIR BODY CONTROL air suspension. The exhilarating driving experience is matched by the breathtaking exterior: AMG bodystyling features polished aluminium, and

the 19" AMG 10-spoke alloy wheels have brake calipers in anodised silver with 'AMG' lettering. The signature front air intakes reveal the technology behind. Inside, AMG front sports seats revealing pronounced contouring for enhanced lateral support and 'AMG' badging in the seat backrest. The 3-spoke multifunction AMG performance steering with a flattened bottom section and 12 o'clock marking is trimmed in black nappa leather.

*In addition/replacement to Mercedes-AMG E 43 4MATIC:*

#### Exterior

19" AMG alloy wheels – 5-twin-spoke, painted titanium grey with high-sheen finish

AMG bodystyling – front and rear aprons, side skirts in polished aluminium

AMG mechanical rear-axle limited-slip differential

AMG SPEEDSHIFT MCT 9-speed sport automatic transmission with RACE START function

Brake calipers – anodised silver with 'AMG' lettering

CAMTRONIC – 4-cylinder shut-off for reduced fuel consumption

Two twin-pipe exhaust system integrated into bumper

'V8 BITURBO 4MATIC+' badge on front wings

#### Interior

Memory package – driver's seat, front passenger seat, steering column and exterior mirrors all electrically adjustable with memory; includes electro-pneumatic four-way lumbar support and seat cushion depth adjustment (6 cm)

AMG boot logo in central screen

'AMG' lettering on centre console

COMAND Online with 12.3-inch media display<sup>1</sup>

Seats – front, AMG sports seats: more pronounced contouring for enhanced lateral support, with 'AMG' badging in seat backrest; finished in AMG-specific upholstery layout

Steering wheel – 3-spoke multifunction AMG performance steering wheel trimmed in black nappa leather with flattened bottom section and 12 o'clock marking

Upper dashboard in ARTICO leather<sup>2</sup> with contrast stitching

Widescreen (12.3-inch) cockpit display with three AMG display styles and RACETIMER

#### Trim and Upholstery

Aluminium with trapeze cut



AMG nappa leather – black



AMG nappa leather – hazelnut brown/black



AMG nappa leather – macchiato beige/black



<sup>1</sup>COMAND Online functionality and Wi-Fi connectivity is dependent on a compatible cellular data connection. Please check with your local Mercedes-Benz Retailer for network compatibility <sup>2</sup>Man-made leather



View offers  
 > Saloon  
 > Estate



Book a test drive  
 > Saloon  
 > Estate



> Find a Retailer



> View the Range Guide

# Mercedes-AMG E 63 S 4MATIC+



Optional equipment shown: designo selenite grey magno paint (code 297); MULTIBEAM LED Intelligent Light System, part of Premium equipment line (code DP0); AMG high-performance ceramic composite braking system (code B07); and wheels (code RTS)



View offers

> Saloon

> Estate



Book a

test drive

> Saloon

> Estate



> Find a Retailer



> View the Range Guide

Exceeding the power of the E 63 4MATIC+ with its staggering 612 hp (450 kW) output, this model comes with its very own highly distinctive features. They include 5-twin-spoke 20" AMG alloy wheels, painted titanium grey with a high-sheen finish and red brake calipers with 'AMG' lettering. While the front splitter and the AMG side sill panels are finished in silver chrome, the twin tailpipe elements have their own 'S' model-specific design. Inside,

you'll enjoy AMG Performance seats<sup>1</sup> featuring integrated head restraints adorned with a stitched AMG emblem. The AMG-specific upholstery is set against crystal grey seat belts,<sup>2</sup> while the upper dashboard is clad in black nappa leather with contrast stitching. To complete the luxuriously dynamic theme, the 3-spoke multifunction AMG performance steering wheel is also trimmed with black nappa leather and DINAMICA microfibre.

*In addition/replacement to Mercedes-AMG E 63 4MATIC+:*

**Exterior**

20" AMG alloy wheels – 5-twin-spoke, painted titanium grey with high-sheen finish

AMG dynamic engine mounts

AMG electronic rear-axle limited-slip differential

Brake calipers – red with 'AMG' lettering

**Interior**

Seats – front, AMG Performance seats<sup>1</sup>: more pronounced contouring for enhanced lateral support, including integral head restraints with stitched AMG emblem and 'AMG' badging in seat backrests; finished in AMG-specific upholstery layout

Steering wheel – 3-spoke multifunction AMG performance steering wheel trimmed in black nappa leather/DINAMICA microfibre with flattened bottom section and 12 o'clock marking

Upper dashboard in nappa leather with contrast stitching

**Trim and Upholstery**

Aluminium with trapeze cut



AMG Exclusive nappa leather – black with grey contrast stitching



AMG Exclusive nappa leather – hazelnut brown/black



AMG Exclusive nappa leather – macchiato beige/black



<sup>1</sup>AMG Performance seats are replaced with AMG sports seats when selecting optional Driving Assistance Plus package (code P20) or omission of AMG Performance seats (code DC4) <sup>2</sup>With AMG Exclusive nappa leather - black with grey contrast stitching only



View offers [> Saloon](#)  
[> Estate](#)



Book a test drive [> Saloon](#)  
[> Estate](#)



[> Find a Retailer](#)



[> View the Range Guide](#)

# Mercedes-AMG E 63 S 4MATIC+ Edition 1



Optional equipment shown: AMG high-performance ceramic composite braking system (code B07)



View offers > Saloon  
> Estate



Book a test drive > Saloon  
> Estate



> Find a Retailer



> View the Range Guide

An E-Class AMG model that takes exclusive, dynamic looks to the highest level, the stunning designo selenite grey magno Edition 1 uses high-gloss black details for maximum effect. They feature on the 20" cross-spoke AMG forged alloy wheels with a high-sheen finish, on the AMG bodystyling, as well as on the mirror housing and the two-twin-pipe exhaust system integrated in the high-gloss black bumper. Privacy glass ensures the beautiful interior

reveals itself exclusively to Edition 1 passengers. It boasts yellow stitching highlights on the black AMG Exclusive nappa leather upholstery, on the upper dashboard, on the AMG performance steering wheel trimmed in black DINAMICA microfibre with 'Edition 1' badging, and on the AMG floor mats. Black carbon fibre trim completes the powerful Edition 1 interior styling.

*In addition/replacement to Mercedes-AMG E 63 S 4MATIC+:*

#### Exterior

KEYLESS-GO Comfort package

20" AMG forged alloy wheels – cross-spoke, painted high-gloss black with high-sheen finish

Accentuation stripes above side skirts in titanium grey

AMG bodystyling – front and rear aprons, side skirts in high-gloss black

Beltline trim strip in high-gloss black

Two twin-pipe exhaust system integrated into high-gloss black bumper

Mirror housings – high-gloss black

MULTIBEAM LED Intelligent Light System with Adaptive Highbeam Assist

Paint – designo selenite grey magno

Panoramic electric glass sunroof

Privacy glass for rear side windows and rear windscreen

Rear bumper – high-gloss black with chrome trim

Trim above badging on front wings in high-gloss black

#### Interior

AMG floor mats with yellow stitching

Burmester® surround sound system

Steering wheel – 3-spoke multifunction AMG Performance steering wheel trimmed in black DINAMICA microfibre with yellow stitching, flattened bottom section, 'Edition 1' badging and 12 o'clock marking

Upper dashboard in nappa leather with yellow stitching

#### Trim and Upholstery

AMG carbon fibre



AMG Exclusive nappa leather – black with yellow contrast stitching





View offers > Saloon  
> Estate



Book a test drive > Saloon  
> Estate



> Find a Retailer



> View the Range Guide

## Premium equipment line for Mercedes-AMG E 63/E 63 S 4MATIC+ models (standard on Edition 1)



KEYLESS-GO Comfort package



Panoramic electric glass sunroof



Burmester® surround sound system



MULTIBEAM LED Intelligent Light System





If you want to increase your comfort and add the best in entertainment to the Mercedes-AMG E 63 4MATIC+ or E 63 S 4MATIC+, the Premium equipment line does just that. It comes with the sophisticated Burmester® surround sound system, the trend-setting lighting technology MULTIBEAM LED

Intelligent Light System, KEYLESS-GO Comfort package for hands-free access, keyless locking, unlocking and starting; and a panoramic glass sunroof to brighten up the cabin.

Package comprises:	Notes	Premium £2,595.00 <sup>1</sup> (code DP0)
KEYLESS-GO Comfort package	Including hands-free access, automatic powered boot closing, keyless entry and keyless start	■
Panoramic glass sunroof	Consisting of a fixed panoramic glass rear section and an electrically-operated sliding glass front section, the glass roof provides additional light and ventilation into the car	■
Burmester® surround sound system	13 speakers and a 9-channel amplifier with total output of 590 watts	■
MULTIBEAM LED Intelligent Light System	Headlamps with 84 individually-controlled LEDs, integrated daytime running lamps, Active Light System, cornering light function, motorway mode function, enhanced fog lamp function, Adaptive Highbeam Assist and locator lighting	■



View offers  
 > Saloon  
 > Estate



Book a  
 test drive  
 > Saloon  
 > Estate



> Find a Retailer



> View the Range Guide

## Exclusive driver training for Mercedes-AMG E 63 and E 63 S owners

All Mercedes-AMG E 63 and E 63 S customers are invited to a complimentary AMG Driving Academy Training experience at Mercedes-Benz World.



With friendly one-to-one tuition from a professional Mercedes-AMG driver, your training will be personalised to you. You'll push Mercedes-AMG driving performance and your driving skills to the limits on our track and purpose-built low friction dynamic handling facilities.

Through high-speed and adrenaline-fuelled exercises you'll experience oversteer, understeer, slaloms and many more performance driving skills. Designed as part of your ownership experience, this will lay the foundations to master a high-performance vehicle, develop driving skills with maximum enjoyment and prepare you to take full command of your own Mercedes-AMG E 63 and E 63 S.

### TERMS AND CONDITIONS

The following only are eligible: the first purchaser/registered keeper of a newly-registered Mercedes-AMG E 63 and E 63 S; the second owner/registered keeper of a Mercedes-AMG purchased from a Mercedes-Benz Retailer, where the vehicle is less than 90 days from registration. The AMG Driving Academy Training experience is the AMG BASIC-Training as detailed in the further information above and must be booked and taken within six months of delivery of your Mercedes-AMG E 63 and E 63 S; it cannot be exchanged and cannot be transferred for any other driving experience. The Training experience is available Monday to Friday only and is subject to availability. Mercedes-Benz UK Limited reserves the right to amend or withdraw this Training experience. Attendees must hold a full UK driving licence. Attendees will be required to sign the Mercedes-Benz World Driving Risk Acknowledgement prior to undertaking the Training experience. The Training experience is also subject to the Mercedes-Benz World Terms and Conditions, as applicable.



View offers

- > Saloon
- > Estate



Book a test drive

- > Saloon
- > Estate



Find a Retailer



View the Range Guide





## Pricing summary for model and equipment lines

Model	Transmission	Recommended OTR price (£) <sup>1</sup>									
		SE	SE Premium	SE Premium Plus	AMG Line	AMG Line Premium	AMG Line Premium Plus	Mercedes-AMG	Mercedes-AMG Premium	Mercedes-AMG Premium Plus	Mercedes-AMG Edition 1
<b>Saloon</b>											
E 200 d	9G-TRONIC PLUS 9-speed auto.	35,160.00	37,955.00	39,055.00	37,675.00	40,470.00	41,570.00	-	-	-	-
E 220 d	9G-TRONIC PLUS 9-speed auto.	36,655.00	39,450.00	40,550.00	39,170.00	41,965.00	43,065.00	-	-	-	-
E 220 d 4MATIC	9G-TRONIC PLUS 9-speed auto.	38,175.00	40,970.00	42,070.00	40,670.00	43,465.00	44,565.00	-	-	-	-
E 350 d	9G-TRONIC PLUS 9-speed auto.	45,580.00	48,375.00	49,475.00	48,075.00	50,870.00	51,970.00	-	-	-	-
E 350 e	9G-TRONIC PLUS 9-speed auto.	45,510.00	48,305.00	49,405.00	48,020.00	50,815.00	51,915.00	-	-	-	-
Mercedes-AMG E 43 4MATIC	9G-TRONIC PLUS 9-speed auto.	-	-	-	-	-	-	57,275.00	60,070.00	61,170.00	-
Mercedes-AMG E 63 4MATIC+	AMG SPEEDSHIFT MCT 9-speed auto.	-	-	-	-	-	-	78,935.00	81,530.00	-	-
Mercedes-AMG E 63 S 4MATIC+	AMG SPEEDSHIFT MCT 9-speed auto.	-	-	-	-	-	-	88,295.00	90,890.00	-	106,585.00

<sup>1</sup>Recommended on-the-road price: these prices reflect the Road Fund Licence applicable to the standard model plus £670.00 additional costs necessary to put your car on the road. Included are a standard UK delivery charge (£540.00 incl. VAT), new vehicle registration fee (£55.00), number plates (£25.00 incl. VAT) and fuel (£50.00 incl. VAT). VAT is calculated at the standard rate of 20%



View offers > Saloon  
> Estate



Book a test drive > Saloon  
> Estate



> Find a Retailer



> View the Range Guide

Pricing summary for model and equipment lines

37

Model	Transmission	Recommended OTR price (£) <sup>1</sup>									
		SE	SE Premium	SE Premium Plus	AMG Line	AMG Line Premium	AMG Line Premium Plus	Mercedes-AMG	Mercedes-AMG Premium	Mercedes-AMG Premium Plus	Mercedes-AMG Edition 1
<b>Estate</b>											
E 200 d	9G-TRONIC PLUS 9-speed auto.	37,160.00	39,955.00	41,055.00	39,675.00	42,470.00	43,570.00	-	-	-	-
E 220 d	9G-TRONIC PLUS 9-speed auto.	38,655.00	41,450.00	42,550.00	41,170.00	43,965.00	45,065.00	-	-	-	-
E 220 d 4MATIC	9G-TRONIC PLUS 9-speed auto.	40,175.00	42,970.00	44,070.00	42,710.00	45,505.00	46,605.00	-	-	-	-
E 350 d	9G-TRONIC PLUS 9-speed auto.	47,580.00	50,375.00	51,475.00	50,375.00	53,170.00	54,270.00	-	-	-	-
<b>Mercedes-AMG E 43 4MATIC</b>	9G-TRONIC PLUS 9-speed auto.	-	-	-	-	-	-	59,275.00	62,070.00	63,170.00	-

<sup>1</sup>Recommended on-the-road price: these prices reflect the Road Fund Licence applicable to the standard model plus £670.00 additional costs necessary to put your car on the road. Included are a standard UK delivery charge (£540.00 incl. VAT), new vehicle registration fee (£55.00), number plates (£25.00 incl. VAT) and fuel (£50.00 incl. VAT). VAT is calculated at the standard rate of 20%



# Standard equipment

Item	E200/220 d (4MATIC) SE	E350 d & E350 e SE	E200/220 d (4MATIC) AMG Line	E350 d & E350 e AMG Line	Mercedes-AMG E43 4MATIC	Mercedes-AMG E63 4MATIC+	Mercedes-AMG E63 S 4MATIC+	Mercedes-AMG E63 S Edition 1
<b>Engine, Transmission and Suspension</b>								
9G-TRONIC 9-speed automatic transmission With shortened shift times for Mercedes-AMG E43 4MATIC	●	●	●	●	●	-	-	-
Active dynamic engine mounts Two dynamic engine mountings (left and right) resolve the conflict of goals between a soft mounting for good comfort and a hard mounting for improved driving dynamics	-	-	-	-	-	-	●	●
Agility Control suspension with selective damping system and lowering by 15 mm	●	-	●	-	-	-	-	-
AIR BODY CONTROL air suspension The multi-chamber air suspension reduces rolling movements, increases ride comfort and stability. In combination with DYNAMIC SELECT, three pre-set modes (Comfort, Sport and Sport+) are available to deliver a tailored driving experience	○	●	○	●	-	-	-	-
AMG DYNAMIC SELECT with a choice of driving modes: Comfort, Sport, Sport+, Individual and RACE RACE available only on Mercedes-AMG E63 S 4MATIC+	-	-	-	-	●	●	●	●
AMG electronic rear-axle limited-slip differential The electronically-controlled AMG limited-slip differential on the rear axle ensures more agility and greater driving pleasure. It offers all the advantages of a mechanical differential lock. Beyond this, it also provides increased driving stability in slaloms or when changing lane at high speed	-	-	-	-	-	-	●	●

Item	E200/220 d (4MATIC) SE	E350 d & E350 e SE	E200/220 d (4MATIC) AMG Line	E350 d & E350 e AMG Line	Mercedes-AMG E43 4MATIC	Mercedes-AMG E63 4MATIC+	Mercedes-AMG E63 S 4MATIC+	Mercedes-AMG E63 S Edition 1
AMG mechanical rear-axle limited-slip differential The mechanically-controlled AMG rear-axle limited-slip differential provides improved traction in every driving situation, especially when the driver adopts a sporty driving style. This is done by reducing slip on the inside driven wheel	-	-	-	-	-	●	-	-
AMG RIDE CONTROL sports suspension based on AIR BODY CONTROL air suspension The multi-chamber air suspension system with a sporty spring/damper set-up continuously adjusts damping to ensure excellent driving dynamics and a high level of ride comfort. In combination with AMG DYNAMIC SELECT, three pre-set modes (Comfort, Sport and Sport+) are available to deliver a tailored drive experience	-	-	-	-	●	●	●	●
AMG SPEEDSHIFT MCT 9-speed automatic sport transmission with RACE START function	-	-	-	-	-	●	●	●
AMG sports exhaust system	-	-	-	-	●	-	-	-
CAMTRONIC - 4 cylinder shut-off for reduced fuel consumption In combination with AMG DYNAMIC SELECT mode Comfort, 4 cylinders are automatically shut-off between 900-3,250 rpm. When active a symbol is shown in the cockpit display. The system becomes automatically disabled above 3,250 rpm or if spontaneous high performance is required	-	-	-	-	-	●	●	●
DYNAMIC SELECT with a choice of driving modes: ECO, Comfort, Sport, Sport+ and Individual	●	●	●	●	-	-	-	-
ECO start/stop function	●	●	●	●	●	●	●	●



Standard equipment

Item	E200/220 d (4MATIC) SE	E350 d & E350 e SE	E200/220 d (4MATIC) AMG Line	E350 d & E350 e AMG Line	Mercedes-AMG E43 4MATIC	Mercedes-AMG E63 4MATIC+	Mercedes-AMG E63 S 4MATIC+	Mercedes-AMG E63 S Edition 1
<b>Exterior</b>								
KEYLESS-GO Comfort package – including hands-free access, automatic powered boot closing, keyless entry and keyless start	△	△	△	△	△	△	△	●
Mirror package – electrically folding mirrors and automatically-dimming exterior driver's mirror and rear-view mirror	●	●	●	●	●	●	●	●
25-litre AdBlue tank (diesel engines only)	●	●	●	●	-	-	-	-
60-litre fuel tank (E350 e only)	-	●	-	●	-	-	-	-
66-litre fuel tank (except E350 e)	●	●	●	●	●	●	●	●
Accentuation stripes above side skirts in titanium grey	-	-	-	-	-	-	-	●
AMG bodystyling – front and rear aprons, side skirts in high-gloss black	-	-	△	△	△	△	△	●
AMG bodystyling – front and rear aprons, side skirts in polished aluminium	-	-	●	●	●	●	●	-
AMG bodystyling – spoiler lip on boot lid in body colour (Saloon only)	-	-	-	-	●	●	●	●
Badging – 'V8 BITURBO 4MATIC+' lettering on front wings	-	-	-	-	-	●	●	●
Charging cable for household socket (mode 2) – 4 m, 8 A (E350 e only)	-	●	-	●	-	-	-	-
Charging cable for wallbox and public charging stations (mode 3) – 4 m, 16 A (E350 e only)	-	●	-	●	-	-	-	-
EASY-PACK automatic powered tailgate (Estate only)	●	●	●	●	●	-	-	-
Exterior mirrors – body colour	●	●	●	●	●	●	●	-
Exterior mirrors – high-gloss black	△	△	△	△	△	△	△	●

Item	E200/220 d (4MATIC) SE	E350 d & E350 e SE	E200/220 d (4MATIC) AMG Line	E350 d & E350 e AMG Line	Mercedes-AMG E43 4MATIC	Mercedes-AMG E63 4MATIC+	Mercedes-AMG E63 S 4MATIC+	Mercedes-AMG E63 S Edition 1
Exterior mirrors – heated and electronically adjustable	●	●	●	●	●	●	●	●
Headlamps – LED High Performance including integral LED daytime running lamps	●	●	●	●	●	●	●	-
Headlamps – MULTIBEAM Intelligent Light System with Adaptive Highbeam Assist	△	△	△	△	△	△	△	●
Heated windscreen wash	●	●	●	●	●	●	●	●
Panoramic electric glass sunroof	△	△	△	△	△	△	△	●
Perforated front brake discs and anodised silver brake calipers with 'AMG' lettering	-	-	-	-	●	●	-	-
Perforated front brake discs and brake calipers with 'Mercedes-Benz' lettering	-	-	●	●	-	-	-	-
Perforated front brake discs and red brake calipers with 'AMG' lettering	-	-	-	-	-	-	●	●
Pre-installation for roof rail systems (Saloon only)	●	●	●	●	●	●	●	●
Privacy glass – rear side windows and rear windscreen	○	○	○	○	○	○	○	●
Radiator grille with integrated star – two louvres in matt iridium silver with chrome trim	●	●	●	●	●	●	●	●
Rain-sensing windscreen wipers	●	●	●	●	●	●	●	●
Rear lights – LED	●	●	●	●	●	●	●	●
Reversing camera	●	●	●	●	●	●	●	●
Roof rails – chrome (Estate only)	●	●	●	●	●	-	-	-
Run-flat tyres	-	-	●	●	-	-	-	-



Item	E200/220 d (4MATIC) SE	E350 d & E350 e SE	E200/220 d (4MATIC) AMG Line	E350 d & E350 e AMG Line	Mercedes-AMG E43 4MATIC	Mercedes-AMG E63 4MATIC+	Mercedes-AMG E63 S 4MATIC+	Mercedes-AMG E63 S Edition 1
<b>Exterior (continued)</b>								
Tinted glass all round – green	●	●	●	●	●	●	●	-
TIREFIT with tyre inflation compressor	●	●	-	-	●	●	●	●
Top surround of side windows in high-gloss black	△	△	△	△	△	△	△	●
Top surround of side windows in polished aluminium	●	●	●	●	●	●	●	-
Visible two twin-pipe exhaust system integrated into the bumper	-	-	-	-	-	●	●	●
Visible twin-pipe exhaust system integrated into the bumper	●	●	●	●	●	-	-	-
Waistline in high-gloss black	△	△	△	△	△	△	△	●
Waistline in polished aluminium	●	●	●	●	●	●	●	-

Item	E200/220 d (4MATIC) SE	E350 d & E350 e SE	E200/220 d (4MATIC) AMG Line	E350 d & E350 e AMG Line	Mercedes-AMG E43 4MATIC	Mercedes-AMG E63 4MATIC+	Mercedes-AMG E63 S 4MATIC+	Mercedes-AMG E63 S Edition 1
<b>Interior</b>								
Memory package Driver's seat, front passenger seat, steering column and exterior mirrors – electrically adjustable with memory; includes electro-pneumatic four-way lumbar support and seat cushion depth adjustment (6 cm)	△	△	△	△	△	●	●	●
Seat Comfort package – driver and front passenger seat Electro-pneumatic four-way lumbar support Manual seat cushion depth adjustment (6 cm)	○	○	●	●	●	-	-	-
Stowage package Double cup holder in centre console for 2×750 ml, two fluorescent jackets, map pockets on rear of front seats Bag hooks under parcel shelf, net on luggage compartment floor (not available on E350 e) Folding box and reversible mat (Estate only)	●	●	●	●	●	●	●	●
'AMG' lettering on centre console	-	-	-	-	-	●	●	●
Analogue clock on centre console	●	●	●	●	●	●	●	●
Automatic climate control – two-zone	●	●	●	●	●	●	●	●
Central stowage compartment with 12V socket in centre console Replaced with USB socket for use with Android Auto and Apple CarPlay™ in conjunction with optional wireless charging and digital vehicle key for smartphone	●	●	●	●	●	●	●	●
Courtesy lights in rear grab handles with reading light functionality	●	●	●	●	●	●	●	●





Item	E200/220 d (4MATIC) SE	E350 d & E350 e SE	E200/220 d (4MATIC) AMG Line	E350 d & E350 e AMG Line	Mercedes-AMG E43 4MATIC	Mercedes-AMG E63 4MATIC+	Mercedes-AMG E63 S 4MATIC+	Mercedes-AMG E63 S Edition 1
Interior (continued)								
Door pins in chrome	-	-	●	●	●	●	●	●
Electric windows (4) – with one-touch opening and closing, including obstruction sensors	●	●	●	●	●	●	●	●
Electronic key – chrome surround	●	●	●	●	●	●	●	●
Floor mats with ‘AMG’ lettering	-	-	●	●	●	●	●	●
Front centre armrest with stowage compartment	●	●	●	●	●	●	●	●
Front door sill panels with ‘AMG’ lettering – illuminated	-	-	-	-	●	●	●	●
Front door sill panels with ‘Mercedes-Benz’ lettering	●	●	●	●	-	-	-	-
Glasses compartment in overhead control panel	●	●	●	●	●	●	●	●
Glove compartment – lockable, air-conditioned and illuminated	●	●	●	●	●	●	●	●
Head restraints for driver and front passenger (four-way adjustability) and in rear (two-way) Driver and front passenger seats with integral head restraints when AMG performance seats (code 555) are added	●	●	●	●	●	●	-	-
Head restraints for driver and front passenger with stitched AMG emblem	-	-	-	-	-	-	●	●
Instrument cluster – two tube-design round dials and 8.4-inch TFT multifunction display	●	●	●	●	●	-	-	-
Instrument cluster – widescreen (12.3-inch) cockpit display High resolution screen with choice of three display styles	○	○	○	○	○	●	●	●

Standard equipment

Item	E200/220 d (4MATIC) SE	E350 d & E350 e SE	E200/220 d (4MATIC) AMG Line	E350 d & E350 e AMG Line	Mercedes-AMG E43 4MATIC	Mercedes-AMG E63 4MATIC+	Mercedes-AMG E63 S 4MATIC+	Mercedes-AMG E63 S Edition 1
Instrument cluster – AMG main menu, including RACETIMER and AMG start-up display Displays valuable information for sporty drivers presented in an inspiring AMG design. With RACETIMER it is possible to measure lap times	-	-	-	-	-	●	●	●
Interior 64-colour ambient lighting – multi-colour LED lighting of trim on dashboard, centre console, and front and rear door panelling; in front and rear door pockets, cup holder and stowage compartment, rear footwell and rear door handle recesses	●	●	●	●	●	●	●	●
KEYLESS-GO starting function	●	●	●	●	●	●	●	●
Outside temperature display	●	●	●	●	●	●	●	●
Seats – front, AMG Performance seats <sup>1</sup> More pronounced contouring of front seats for enhanced lateral support, with integral head restraints and AMG badging in seat backrests	-	-	-	-	○	○	●	●
Seats – front, AMG sports seats More pronounced contouring of front seats for enhanced lateral support, with AMG badging in seat backrests. AMG-specific upholstery layout	-	-	-	-	●	●	○	-
Seats – front, four-way partially electric seat adjustment	●	●	●	●	●	-	-	-
Seats – front, heated	●	●	●	●	●	●	●	●
Seats – rear, split folding 40:20:40 (Saloon)	○	○	○	○	●	●	●	●

● Standard ○ Optional – Not available <sup>1</sup>AMG Performance seats are replaced with AMG sports seats when selecting optional Driving Assistance Plus package (code P20) or omission of AMG Performance seats (code DC4)



Item	E200/220 d (4MATIC) SE	E350 d & E350 e SE	E200/220 d (4MATIC) AMG Line	E350 d & E350 e AMG Line	Mercedes-AMG E43 4MATIC	Mercedes-AMG E63 4MATIC+	Mercedes-AMG E63 S 4MATIC+	Mercedes-AMG E63 S Edition 1
Interior (continued)								
Seats – rear, split folding 40:20:40 (Estate)	●	●	●	●	●	-	-	-
Service indicator ASSYST	●	●	●	●	●	●	●	●
Sports pedals in brushed stainless steel with rubber studs	●	●	●	●	●	●	●	●
Sun visors with illuminated vanity mirrors	●	●	●	●	●	●	●	●
Trip computer in multifunction display showing current fuel consumption	●	●	●	●	●	●	●	●

Standard equipment

Item	E200/220 d (4MATIC) SE	E350 d & E350 e SE	E200/220 d (4MATIC) AMG Line	E350 d & E350 e AMG Line	Mercedes-AMG E43 4MATIC	Mercedes-AMG E63 4MATIC+	Mercedes-AMG E63 S 4MATIC+	Mercedes-AMG E63 S Edition 1
Steering								
Direct-Steer speed sensitive steering	●	●	●	●	●	-	-	-
Steering column – manually adjustable for height and reach	●	●	●	●	●	-	-	-
Steering column – electrically adjustable for height and reach	△	△	△	△	△	●	●	●
Steering wheel – 3-spoke in black nappa leather	●	●	-	-	-	-	-	-
Steering wheel – 3-spoke multifunction AMG performance steering wheel trimmed in black DINAMICA microfibre with yellow stitching, flattened bottom section, 'Edition 1' badge and grey 12 o'clock marking	-	-	-	-	-	-	-	●
Steering wheel – 3-spoke multifunction AMG performance steering wheel trimmed in black nappa leather with flattened bottom section and grey 12 o'clock marking	-	-	-	-	-	●	-	-
Steering wheel – 3-spoke multifunction AMG performance steering wheel trimmed in black nappa leather/DINAMICA microfibre with flattened bottom section and grey 12 o'clock marking	-	-	-	-	-	-	●	-
Steering wheel – 3-spoke multifunction AMG steering wheel with touch control buttons, trimmed in black nappa leather with flattened bottom section	-	-	●	●	●	-	-	-
Steering wheel – multifunction, with gearshift paddles	●	●	●	●	●	●	●	●
Steering wheel – touch-control buttons for audio and onboard settings	●	●	●	●	●	●	●	●



Item

Paint, Trim and Upholstery

	E200/220 d (4MATIC) SE	E350 d & E350 e SE	E200/220 d (4MATIC) AMG Line	E350 d & E350 e AMG Line	Mercedes-AMG E43 4MATIC	Mercedes-AMG E63 4MATIC+	Mercedes-AMG E63 S 4MATIC+	Mercedes-AMG E63 S Edition 1
Paint - non-metallic	●	●	●	●	●	●	●	-
Paint - designo magno paint	○	○	○	○	○	○	○	●
Trim - centre console, AMG carbon fibre	-	-	-	-	○	○	○	●
Trim - centre console, high-gloss black	●	●	●	●	●	●	●	-
Trim - dashboard and door, aluminium with trapeze cut	●	●	○	○	○	○	○	-
Trim - dashboard and door, AMG carbon fibre	-	-	-	-	○	○	○	●
Trim - dashboard and door, black open-pore ash wood	○	○	●	●	○	○	○	-
Trim - upper dashboard, ARTICO leather <sup>1</sup> with contrast topstitching	-	-	●	●	●	●	-	-
Trim - upper dashboard, nappa leather with contrast topstitching	-	-	-	-	-	-	●	●
Upholstery - AMG Exclusive nappa leather	-	-	-	-	-	-	●	●
Upholstery - AMG nappa leather	-	-	-	-	-	●	-	-
Upholstery - leather	●	●	-	-	-	-	-	-
Upholstery - nappa leather	-	-	○	○	●	-	-	-
Upholstery - ARTICO leather <sup>1</sup> /DINAMICA microfibre	-	-	●	●	-	-	-	-

Item

Safety and Assistance Systems

	E200/220 d (4MATIC) SE	E350 d & E350 e SE	E200/220 d (4MATIC) AMG Line	E350 d & E350 e AMG Line	Mercedes-AMG E43 4MATIC	Mercedes-AMG E63 4MATIC+	Mercedes-AMG E63 S 4MATIC+	Mercedes-AMG E63 S Edition 1
Active bonnet - pedestrian safety measure which detects an impact and raises bonnet	●	●	●	●	●	●	●	●
Active Brake Assist (formerly COLLISION PREVENTION ASSIST)	●	●	●	●	●	●	●	●
Adaptive brake lights	●	●	●	●	●	●	●	●
Adaptive Brake System with HOLD function and brake drying in the wet	●	●	●	●	●	●	●	●
Airbag - kneebag for driver	●	●	●	●	●	●	●	●
Airbags - driver and front passenger, with extended adaptivity for front passenger airbag	●	●	●	●	●	●	●	●
Airbags - sidebag for driver and front passenger (combined thorax/pelvis bag)	●	●	●	●	●	●	●	●
Airbags - windowbags	●	●	●	●	●	●	●	●
Alarm system with immobiliser and interior protection	●	●	●	●	●	●	●	●
Anti-lock braking system (ABS)	●	●	●	●	●	●	●	●
ATTENTION ASSIST - can help alert to long journey fatigue	●	●	●	●	●	●	●	●
Automatic child seat recognition sensor	●	●	●	●	●	●	●	●
Brake wear warning display	●	●	●	●	●	●	●	●
Central locking with interior switch, automatic locking and crash sensor with emergency opening function	●	●	●	●	●	●	●	●



Item	E200/220 d (4MATIC) SE	E350 d & E350 e SE	E200/220 d (4MATIC) AMG Line	E350 d & E350 e AMG Line	Mercedes-AMG E43 4MATIC	Mercedes-AMG E63 4MATIC+	Mercedes-AMG E63 S 4MATIC+	Mercedes-AMG E63 S Edition 1
<b>Safety and Assistance Systems (continued)</b>								
Childproof locks – manually operated for rear doors and electrically operated for rear power windows	●	●	●	●	●	●	●	●
Concierge Service An exclusive assistance and information service for Mercedes-Benz customers, providing personal support by telephone in the search of interesting locations (POI), restaurants or hotels. Free of charge for first year. Extension possible and pricing information available via Mercedes me store (only with COMAND Online System)	○	●	○	●	●	●	●	●
Cruise control with variable speed limiter	●	●	●	●	●	●	●	●
Diesel Particulate Filter (DPF) – diesel models only	●	●	●	●	–	–	–	–
Electronic parking brake	●	●	●	●	●	●	●	●
Electronic Stability Programme (ESP®)	●	●	●	●	●	●	●	●
First-aid kit and warning triangle	●	●	●	●	●	●	●	●
Incorrect fuelling protection – diesel models only	●	●	●	●	–	–	–	–
ISOFIX child seat attachment points – two outer rear seats	●	●	●	●	●	●	●	●
Parking Pilot including PARKTRONIC front and rear parking sensors The system automatically steers the vehicle into parking spaces. Bay and parallel parking capable	●	●	●	●	●	●	●	●
PRE-SAFE® anticipatory safety system	●	●	●	●	●	●	●	●

Item	E200/220 d (4MATIC) SE	E350 d & E350 e SE	E200/220 d (4MATIC) AMG Line	E350 d & E350 e AMG Line	Mercedes-AMG E43 4MATIC	Mercedes-AMG E63 4MATIC+	Mercedes-AMG E63 S 4MATIC+	Mercedes-AMG E63 S Edition 1
<b>Standard equipment</b>								
Remote boot release	●	●	●	●	●	●	●	●
Seat belts – three-point	●	●	●	●	●	●	●	●
Seat occupancy sensor for front passenger seat	●	●	●	●	●	●	●	●
Status display for rear seat belts in instrument cluster	●	●	●	●	●	●	●	●
Traffic Sign Assist Traffic sign recognition including wrong-way warning function and display of posted speed limits in the instrument cluster (only with COMAND Online system)	○	●	○	●	●	●	●	●
Tyre pressure monitoring system	●	●	●	●	●	●	●	●
<b>Communications and In-Car Entertainment</b>								
Audio 20 USB, including control wheel with integrated Media Interface port for iPod® or iPhone® and Bluetooth® interface with hands-free function	●	–	●	–	–	–	–	–
Burmester® surround sound system - 13 speakers and a 9-channel amplifier with total output of 590 W (7 × 50 W and 2 × 120 W)	○	○	○	○	○	○	○	●



Item

Communications and In-Car Entertainment




	E200/220 d (4MATIC) SE	E350 d & E350 e SE	E200/220 d (4MATIC) AMG Line	E350 d & E350 e AMG Line	Mercedes-AMG E43 4MATIC	Mercedes-AMG E63 4MATIC+	Mercedes-AMG E63 S 4MATIC+	Mercedes-AMG E63 S Edition 1
COMAND Online system <sup>1</sup> with Media Interface and touchpad In replacement to Garmin® MAP PILOT navigation system: fast hard disk navigation with instructions shown on 12.3-inch high-resolution colour display and in the instrument cluster. Includes 3D views with visualisation of roads and buildings as well as junctions and lane assistants, making it easy for drivers to orientate themselves. Spoken instructions are emitted through vehicle's built-in speakers. WLAN/WiFi hotspot for connecting up to three mobile devices. Car-to-X Communication exchanging the latest traffic information between appropriately equipped vehicles, warns of broken down vehicles and other hazards on the route. Concierge Service, smartphone integration via Android Auto or Apple CarPlay™. Voice-operated control system LINGUATRONIC	○	●	○	●	●	●	●	●
DAB digital radio	●	●	●	●	●	●	●	●
Garmin® MAP PILOT navigation system Operation via controller, touchpad or voice control. SD card navigation with instructions shown on 8.4-inch high-resolution colour display and in the instrument cluster. Includes 3D views with visualisation of roads and buildings as well as junction and lane assistants, making it easy for drivers to orientate themselves. Spoken instructions are emitted through vehicle's built-in speakers. Software and map can be updated online	●	-	●	-	-	-	-	-
Mercedes me connect (standard services) Including emergency call system (eCall), accident recovery, breakdown and maintenance management	●	●	●	●	●	●	●	●

Item




	E200/220 d (4MATIC) SE	E350 d & E350 e SE	E200/220 d (4MATIC) AMG Line	E350 d & E350 e AMG Line	Mercedes-AMG E43 4MATIC	Mercedes-AMG E63 4MATIC+	Mercedes-AMG E63 S 4MATIC+	Mercedes-AMG E63 S Edition 1
Mercedes me connect (Remote Online) Onboard use of the remote door locking and unlocking, remote interrogation of vehicle status. Remote Online subscription services are limited to three years from initial registration, and can be extended at additional cost	○	-	○	-	-	-	-	-
Mercedes me connect (Vehicle Monitoring) Includes geofencing, parked vehicle locator, remote door locking/unlocking, remote retrieval of vehicle status, vehicle tracker (E350 e only)	-	●	-	●	-	-	-	-
Smartphone integration via Android Auto or Apple CarPlay™, Media Interface, USB and Bluetooth® interface	○	●	○	●	●	●	●	●
Touchpad with control wheel	○	●	○	●	●	●	●	●
High-resolution 8.4-inch multimedia colour display with Garmin® MAP PILOT navigation system	●	-	●	-	-	-	-	-
High-resolution 12.3-inch multimedia colour display with COMAND Online system	○	●	○	●	●	●	●	●
Radio aerial integrated into rear window	●	●	●	●	●	●	●	●
USB ports (2) in centre console	●	●	●	●	●	●	●	●



# A revolution in style

Item	Notes		E200 /220 d (4MATIC) SE	E350 d & E350 e SE	E200 /220 d (4MATIC) AMG Line	E350 d & E350 e AMG Line	Mercedes-AMG E43 4MATIC	Mercedes-AMG E63 4MATIC+	Mercedes-AMG E63 S 4MATIC+	Mercedes-AMG E63 S Edition 1	Basic RRP excl. VAT (£)	Total RRP incl. VAT (£)
<b>Wheels</b>												
17" alloy wheels (4) – 5-spoke design, painted vanadium silver front: 225/55 tyres rear: 225/55 tyres			02R	●	-	-	-	-	-	-	-	-
18" alloy wheels (4) – 5-spoke design, painted vanadium silver front: 245/45 tyres rear: 245/45 tyres	Not available for E350 e		R96	-	●	-	-	-	-	-	-	-
18" alloy wheels (4) – 5-spoke design, painted tremolite grey with high-sheen finish front: 245/45 tyres rear: 245/45 tyres	Not available for E350 e		R31	○	-	-	-	-	-	-	495.83	595.00
				-	○	-	-	-	-	-	162.50	195.00



Item	Notes		E200 /220 d (4MATIC) SE	E350 d & E350 e SE	E200 /220 d (4MATIC) AMG Line	E350 d & E350 e AMG Line	Mercedes-AMG E43 4MATIC	Mercedes-AMG E63 4MATIC+	Mercedes-AMG E63 S 4MATIC+	Mercedes-AMG E63 S Edition 1	Basic RRP excl. VAT (£)	Total RRP incl. VAT (£)
<b>Wheels (continued)</b>												
18" alloy wheels (4) – 5-twin-spoke design, painted tremolite grey with high sheen finish front: 245/45 tyres rear: 245/45 tyres	E350e only		22R	-	●	-	-	-	-	-	-	-
19" AMG alloy wheels (4) – 5-twin-spoke design, painted titanium grey with high-sheen finish front: 245/45 tyres rear: 275/40 tyres			RTD	-	-	●	●	-	-	-	-	-
20" AMG alloy wheels (4) – multi-spoke design, painted titanium grey with high-sheen finish front: 245/35 tyres rear: 275/30 tyres	Not available for E350e		RVQ	-	-	○	○	-	-	-	495.83	595.00



Item	Notes	Image	Model Availability								Basic RRP excl. VAT (£)	Total RRP incl. VAT (£)	
			E200/220 d (4MATIC) SE	E350 d & E350 e SE	E200/220 d (4MATIC) AMG Line	E350 d & E350 e AMG Line	Mercedes-AMG E43 4MATIC	Mercedes-AMG E63 4MATIC+	Mercedes-AMG E63 S 4MATIC+	Mercedes-AMG E63 S Edition 1			
<b>Wheels (continued)</b>													
19" AMG alloy wheels (4) – 5-twin-spoke design, painted high-gloss black with high-sheen finish front: 245/40 tyres rear: 275/35 tyres			RTE	-	-	-	-	●	-	-	-	-	-
	Only in conjunction with Night package (code P55)		-	-	△	△	-	-	-	-	-	-	-
20" AMG alloy wheels (4) – 5-twin-spoke design, painted high-gloss black with high-sheen finish front: 265/35 tyres rear: 295/30 tyres			RTO	-	-	-	-	○	-	-	-	495.83	595.00
			-	-	-	-	-	-	-	-	-	-	-
20" AMG alloy wheels (4) – multi-spoke-design, painted high-gloss black with high-sheen finish front: 245/35 tyres rear: 275/30 tyres			RVR	-	-	-	-	○	-	-	-	495.83	595.00
	Only in conjunction with Night package (code P55). Not available on E350 e		-	-	△	△	-	-	-	-	-	495.83	595.00




● Standard ○ Optional - Not available △ Available as part of an option package





Item	Notes		E200 /220 d (4MATIC) SE	E350 d & E350 e SE	E200 /220 d (4MATIC) AMG Line	E350 d & E350 e AMG Line	Mercedes-AMG E43 4MATIC	Mercedes-AMG E63 4MATIC+	Mercedes-AMG E63 S 4MATIC+	Mercedes-AMG E63 S Edition 1	Basic RRP excl. VAT (£)	Total RRP incl. VAT (£)	
<b>Wheels (continued)</b>													
19" AMG alloy wheels (4) – 5-twin-spoke design, painted titanium grey with high-sheen finish front: 265/40 tyres rear: 295/35 tyres			RVC	-	-	-	-	-	●	-	-	-	
20" AMG alloy wheels (4) – 5-twin-spoke design, painted titanium grey with high-sheen finish front: 265/35 tyres rear: 295/30 tyres			RTQ	-	-	-	-	-	○	●	-	829.17	995.00
20" AMG alloy wheels (4) – cross-spoke forged design, painted high-gloss black with high-sheen finish front: 265/35 tyres rear: 295/30 tyres			RTS	-	-	-	-	-	○	-	-	2,329.17	2,795.00
				-	-	-	-	-	-	○	-	1,495.83	1,795.00
				-	-	-	-	-	-	●	-	-	-



Item	Notes									Basic RRP excl. VAT (£)	Total RRP incl. VAT (£)	
<b>Wheels (continued)</b>												
20" AMG alloy wheels (4) – 5-twin-spoke design, painted titanium grey with high-shine finish front: 265/35 tyres rear: 295/30 tyres		RTM	E200/220 d (4MATIC) SE	-	-	-	-	-	-	-	829.17	995.00
			E350 d & E350 e SE	-	-	-	-	-	-	-		
20" AMG alloy wheels (4) – 5-twin-spoke design, painted high-gloss black with high-shine finish front: 265/35 tyres rear: 295/30 tyres		RTP	E200/220 d (4MATIC) AMG Line	-	-	-	-	-	-	-	1,245.83	1,495.00
			E350 d & E350 e AMG Line	-	-	-	-	-	-	-		
20" AMG alloy wheels (4) – cross-spoke forged design, painted titanium grey with high-shine finish front: 265/35 tyres rear: 295/30 tyres		RTR	Mercedes-AMG E43 4MATIC	-	-	-	-	-	-	-	1,912.50	2,295.00
			Mercedes-AMG E63 4MATIC+	-	-	-	-	-	-	-		
			Mercedes-AMG E63 S 4MATIC+	-	-	-	-	-	-	-	412.50	495.00
			Mercedes-AMG E63 S Edition 1	-	-	-	-	-	-	-	1,079.17	1,295.00
												no-cost option



View offers  
 > Saloon  
 > Estate



Book a test drive  
 > Saloon  
 > Estate



> Find a Retailer



> View the Range Guide

## Lane Tracking package



The Lane Tracking package: Active Lane Keeping Assist and Blind Spot Assist

The Lane Tracking package includes Blind Spot Assist and Active Lane Keeping Assist – highly intelligent features to help you stay safe on the road by making the drive more effortless, and to alert you to any emergency.

**Lane Tracking package** – designed and priced as a package, including features listed below.

**All models**

**Total incl. VAT £595.00**

---

**Lane Tracking package** (code 22P)

Active Lane Keeping Assist – can warn a driver who is unintentionally drifting out of lane and help to return the vehicle to its lane by one-sided braking intervention

---

Blind Spot Assist – visible warning in exterior mirrors if a vehicle is detected in blind spot, audible warning if indicating to move out of lane

---



View offers > Saloon  
> Estate



Book a test drive > Saloon  
> Estate



> Find a Retailer

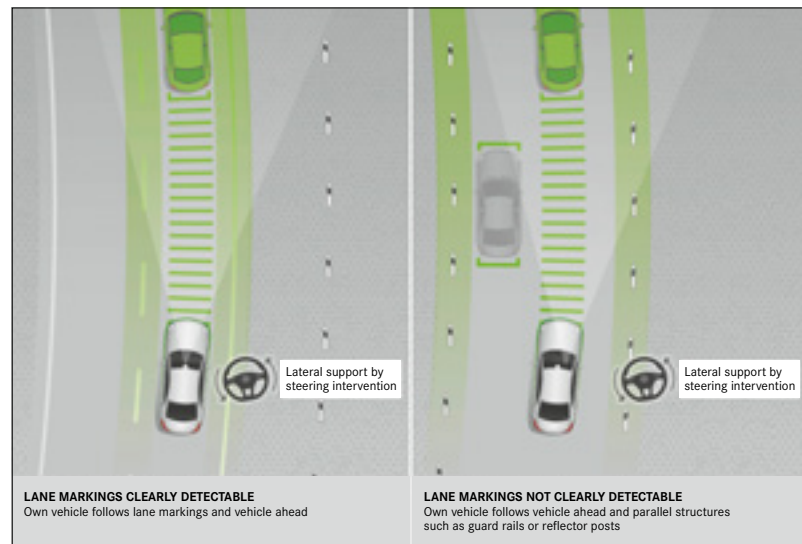


> View the Range Guide

# Driving Assistance Plus package<sup>1</sup>

Driving Assistance Plus package<sup>1</sup> contains a range of highly intelligent features to help you stay safe on the road – by making the drive more effortless, by warning of danger, and by taking steps to protect you in an emergency.

**Driving Assistance Plus package<sup>1</sup>** – designed and priced as a package, including items as listed. **Total incl. VAT £1,695.00**



DRIVE PILOT

<sup>1</sup>Not available on Mercedes-AMG E 43 4MATIC or Mercedes-AMG E 63 4MATIC+ with optional AMG Performance seats (code 555). When ordered with Mercedes-AMG E 63 S 4MATIC+, AMG Performance seats will be replaced with AMG sports seats. Not available on Mercedes-AMG E 63 S 4MATIC+ Edition 1

## Driving Assistance Plus package<sup>1</sup> (code P20)

### Active Blind Spot Assist

Active Blind Spot Assist can warn the driver of vehicles in the blind spot during a lane change and can help to avoid a collision by means of one-sided braking intervention

### Active Brake Assist

Active Brake Assist with cross-traffic function and tailback emergency braking function can help to avoid accidents with vehicles ahead, crossing traffic and also pedestrians, and/or mitigate their consequences

### Active Lane Keeping Assist

Active Lane Keeping Assist can warn drivers when they unintentionally leave their lane and can use one-sided braking intervention to help manoeuvre the vehicle back into its lane (including in the case of broken lane markings if there is a risk of collision)

### DRIVE PILOT

DRIVE PILOT comprehensively supports the driver with Steering Pilot with extended tolerance for Hands-off Warning and Active Emergency Stop Assist, Distance Pilot DISTRONIC with extended automatic moving off again in a tailback (in conjunction with Parking Pilot) and Speed Limit Pilot (in conjunction with COMAND Online)

### Evasive Steering Assist

Evasive Steering Assist can support the driver in making evasive manoeuvres if, in a dangerous situation, he/she moves to avoid any pedestrian detected by the system

### PRE-SAFE<sup>®</sup> Impulse Side

PRE-SAFE<sup>®</sup> Impulse Side can prepare the front occupants for a side impact with a lateral impulse, and reduce the risk of injury

### PRE-SAFE<sup>®</sup> PLUS

When a rear-end collision threatens, PRE-SAFE<sup>®</sup> PLUS can initiate preventive measures to protect the occupants, including warning following traffic and locking the brakes on standstill



View offers > Saloon  
> Estate



Book a test drive > Saloon  
> Estate



> Find a Retailer



> View the Range Guide

# COMAND Online system



**COMAND Online system<sup>1</sup> with Media Interface and touchpad** – designed and priced as a package, including items as listed below.

**E 200 d, E 220 d and E 220 d 4MATIC Total incl. VAT £1,495.00**

Standard on E 350 d, E 350 e, Mercedes-AMG E 43 4MATIC, E 63 and E 63 S 4MATIC+ (incl. Edition 1)

**COMAND Online system** (code 531)

Media Interface and touchpad with control wheel and 12.3-inch colour display. Integrated WLAN hotspot for onboard access of WLAN-enabled devices

Hard disk drive (HDD) navigation with 3D map display

Live Traffic Information and European map data online updates free of charge (first three years), Speed Limit Assist and LINGUATRONIC voice control

Smartphone integration via Android Auto or Apple CarPlay™

Media Interface, USB and Bluetooth® interface for hands-free telephony. Connection and control of portable media devices (e.g. MP3 player, USB storage media)

Mercedes me connect

Integration of online content (e.g. fuel prices) in navigation map, Car-to-X communication and Concierge Service providing personal support by telephone in the search for interesting locations (POI), restaurants or hotels (free of charge for one year)<sup>2</sup>

**Widescreen (12.3-inch) cockpit display**

Creates one floating screen combined with 12.3-inch COMAND display allowing clearer display of assistance systems and features ambient lighting surrounding both screens. Customisable display options with three display styles: 'Classic', 'Sport' and 'Progressive'. AMG-specific display is available with Mercedes-AMG E 63 and E 63 S.

**Optional in conjunction with COMAND Online Total incl. VAT £495.00**

Standard on Mercedes-AMG E 63 and E 63 S 4MATIC+ (incl. Edition 1)

<sup>1</sup>COMAND Online functionality and Wi-Fi connectivity is dependent on a compatible cellular data connection. Please check with your local Mercedes-Benz Retailer on network compatibility <sup>2</sup>For availability please check with your Retailer



## Night package



How to lend dramatic effect to your E-Class AMG Line or Mercedes-AMG E 43 4MATIC? Simply add the Night package. With either 19" 5-twin-spoke or optional 20" multi-spoke alloy wheels painted high-gloss black and further design elements in high-gloss black, the Night package adds a distinct character to the exterior.

**Night package** – designed and priced as a package, including items as listed below.

**AMG Line or Mercedes-AMG E 43 4MATIC**      **Total incl. VAT £595.00**

**Night package** (code P55)

19" alloy wheels (4) – 5-twin-spoke design, painted high-gloss black with high sheen finish (code RTE)<sup>1</sup>

Optional 20" alloy wheels (4) – multi-spoke design, painted high-gloss black with high sheen finish (code RVR)<sup>1</sup>

Chrome trim in rear bumper in high-gloss black

Exterior mirror housings in high-gloss black

Front apron in high-gloss black

Privacy glass for rear side windows and rear windscreen

Radiator grille with integral Mercedes-Benz star and louvres in high-gloss black

Waistline trim strip in high-gloss black





View offers > Saloon  
> Estate



Book a test drive > Saloon  
> Estate



> Find a Retailer



> View the Range Guide

## AMG Night package



The AMG Night package is specifically designed for Mercedes-AMG models. The package contains the same features as the Night package, plus black chrome-plated twin tailpipe trim elements, arrow-shaped wing signet in high-gloss black above the 'V8 BITURBO 4MATIC+' badges and comes with 19" alloy wheels in 5-twin-spoke design as part of this package.

**AMG Night package** – designed and priced as a package, including items as listed below.

**Mercedes-AMG models** **Total incl. VAT £795.00**

Standard on Mercedes-AMG E 63 S 4MATIC Edition 1

### AMG Night package (code P60)

19" alloy wheels (4) – 5-twin-spoke design, painted high-gloss black with high sheen finish
Arrow-shaped wing signet in high-gloss black above 'V8 BITURBO 4MATIC+' badging
Black chrome-plated twin tailpipe trim elements
Chrome trim in rear bumper in high-gloss black
Exterior mirror housings in high-gloss black
Front apron in high-gloss black
Privacy glass for rear side windows and rear windscreen
Radiator grille with integral Mercedes-Benz star and a single louvre in high-gloss black
Waistline trim strip in high-gloss black





# Optional equipment

Item	Notes								Basic RRP excl. VAT (£)	Total RRP incl. VAT (£)
AMG Performance Studio										
AMG carbon fibre engine cover		B14	-	-	-	-	-	-	1,245.83	1,495.00
AMG Driver's package Includes an increase to your vehicle's electronically limited top speed to 186 mph and participation in one of the AMG BASIC-Training 'Power and Passion' events. The event is run by the AMG Driving Academy and held at a racetrack located in mainland Europe	For further information on this or any other AMG Driving Academy training, please speak to your Retailer, or visit <a href="http://www.mercedes-amg.com/driving-academy">www.mercedes-amg.com/driving-academy</a>	250	-	-	-	-	-	-	2,295.83	2,755.00
			-	-	-	-	-	-	637.50	765.00
AMG Exterior Carbon Fibre package 1 Arrow-shaped wing signet in carbon fibre above 'V8 BITURBO 4MATIC+' badging Chrome trim in rear bumper in carbon fibre Front apron in carbon fibre Side sill panels in carbon fibre		773	-	-	-	-	-	-	2,808.33	3,370.00
AMG Exterior Carbon Fibre package 2 AMG carbon-fibre exterior mirror housing AMG carbon-fibre spoiler lip (Saloon only)		B28	-	-	-	-	-	-	1,312.50	1,575.00
AMG high-performance ceramic composite braking system – bronze-painted brake calipers with 'AMG Carbon Ceramic' lettering Extremely short stopping distances, precise pressure point and outstanding fade resistance even in extreme operating conditions. Race-track braking performance accompanied by weight savings of around 40% over conventional composite brake discs	Front axle: diameter 402×39 mm, internally ventilated and perforated, with 6-piston fixed caliper. Rear axle: diameter 360×32 mm, internally ventilated and perforated, with 4-piston fixed caliper	B07	-	-	-	-	-	-	5,829.17	6,995.00
AMG performance exhaust		U78	-	-	-	-	-	-	833.33	1,000.00

E200/220 d (4MATIC) SE  
 E350 d & E350 e SE  
 E200/220 d (4MATIC) AMG Line  
 E350 d & E350 e AMG Line  
 Mercedes-AMG E43 4MATIC  
 Mercedes-AMG E63 4MATIC+  
 Mercedes-AMG E63 S 4MATIC+  
 Mercedes-AMG E63 S Edition 1





Item	Notes	E200 / 220 d (4MATIC) SE	E350 d & E350 e SE	E200 / 220 d (4MATIC) AMG Line	E350 d & E350 e AMG Line	Mercedes-AMG E43 4MATIC	Mercedes-AMG E63 4MATIC+	Mercedes-AMG E63 S 4MATIC+	Mercedes-AMG E63 S Edition 1	Basic RRP excl. VAT (£)	Total RRP incl. VAT (£)	
<b>AMG Performance Studio (continued)</b>												
AMG performance seats For driver and front passenger – more pronounced contouring of front seats for enhanced lateral support, with integral head restraints and AMG badging in seat backrests Embossed AMG emblem in front head restraints (Mercedes-AMG E 63 S 4MATIC+ only)	Only in conjunction with AMG Exclusive nappa leather or AMG nappa leather. Additionally only in conjunction with Premium or Premium Plus equipment lines (code DP0 or DP1) with Mercedes-AMG E 43 4MATIC. Not in conjunction with Driving Assistance Plus package (code P20)	555	-	-	-	-	○	○	●	●	1,170.83	1,405.00
Omission of accentuation stripes above side skirts in titanium grey		U03	-	-	-	-	-	-	○			no-cost option
Omission of AMG Performance seats		DC4	-	-	-	-	-	○	-			no-cost option
<b>Suspension and Handling</b>												
AIR BODY CONTROL air suspension The multi-chamber air suspension reduces rolling movements, increases ride comfort and stability. In combination with DYNAMIC SELECT, three pre-set modes (Comfort, Sport and Sport+) are available to deliver a tailored driving experience		489	○	●	●	●	●	-	-	-	1,245.83	1,495.00



Item	Notes	E200/220 d (4MATIC) SE	E350 d & E350 e SE	E200/220 d (4MATIC) AMG Line	E350 d & E350 e AMG Line	Mercedes-AMG E43 4MATIC	Mercedes-AMG E63 4MATIC+	Mercedes-AMG E63 S 4MATIC+	Mercedes-AMG E63 S Edition 1	Basic RRP excl. VAT (£)	Total RRP incl. VAT (£)	
<b>Exterior</b> AMG Night package Alloy wheels painted high-gloss black with high-sheen finish Arrow-shaped wing signet in high-gloss black above 'V8 BITURBO 4MATIC+' badging Black chrome-plated twin tailpipe trim elements Chrome trim in rear bumper in high-gloss black Exterior mirror housings in high-gloss black Front apron in high-gloss black Privacy glass for rear side windows and rear windscreen Radiator grille with integral Mercedes-Benz star and a single louvre in high-gloss black Waistline trim strip in high-gloss black		P60	-	-	-	-	-	○	○	●	662.50	795.00
Night package Alloy wheels painted high-gloss black with high-sheen finish Chrome trim in rear bumper in high-gloss black Exterior mirror housings in high-gloss black Front apron in high-gloss black Privacy glass for rear side windows and rear windscreen Radiator grille with integral Mercedes star and louvres in high-gloss black Waistline trim strip in high-gloss black		P55	-	-	○	○	○	-	-	-	495.83	595.00
360° camera Four networked cameras in front grille, wing mirror and boot. Information from PARKTRONIC on vehicle contours shown, and rear guidelines included	Not available on Mercedes-AMG E 63 4MATIC+ in conjunction with optional Premium equipment line (code DP0)	P44	○	○	○	○	○	○	○	○	279.17	335.00



Item	Notes									Optional equipment	
										Basic RRP excl. VAT (£)	Total RRP incl. VAT (£)
<b>Exterior (continued)</b>											
Charging cable for household socket (mode 2) – 8 m, 8 A	Replaces standard charging cable for household socket (mode 2) – 4 m, 8 A (E 350 e only)	B81	-	○	-	○	-	-	-	-	no-cost option
Charging cable for wallbox and public charging stations (mode 3) – 8 m, 16 A	Replaces standard charging cable for wallbox and public charging stations (mode 3) – 4 m, 16 A (E 350 e only)	B83	-	○	-	○	-	-	-	-	no-cost option
Charging cable for IEC 60309 3-pin industrial socket (mode 2) – 4 m, 8 A	In addition to standard charging cables (E 350 e only)	B32	-	○	-	○	-	-	-	312.50	375.00
Charging cable for IEC 60309 3-pin industrial socket (mode 2) – 8 m, 8 A	In addition to standard charging cables (E 350 e only)	B82	-	○	-	○	-	-	-	312.50	375.00
Privacy glass Includes side windows rear of B-pillar and rear windscreen	Included with Night package (code P55) and AMG Night package (code P60)	840	○	○	○	○	○	○	○	287.50	345.00
Tow bar, fully electric – includes 13-pin socket When ordering, please discuss with your Retailer any specific electrical towing requirements	Not in conjunction with folding bench seat in load compartment (code 844)	550	○	○	○	○	○	-	-	579.17	695.00

E200/220 d (4MATIC) SE  
E350 d & E350 e SE  
E200/220 d (4MATIC) AMG Line  
E350 d & E350 e AMG Line  
Mercedes-AMG E43 4MATIC  
Mercedes-AMG E63 4MATIC+  
Mercedes-AMG E63 S 4MATIC+  
Mercedes-AMG E63 S Edition 1





Item	Notes									Basic RRP excl. VAT (£)	Total RRP incl. VAT (£)		
<b>Comfort</b>													
Air-Balance package Interior fragrance dispenser. Fragrance can be changed by exchanging the flasks in the glove compartment. Intensity and duration of fragrance diffusion can be adjusted. Oxygen ionisation and improved filtering system	Contact your Retailer for information about available fragrances	P21	○	○	○	○	○	○	○	○	○	245.83	295.00
Seat Comfort package – driver and front passenger seat Electro-pneumatic four-way lumbar support Manual seat cushion depth adjustment (6 cm)	Replaced by Memory package with Premium or Premium Plus equipment lines (code DP0 and DP1). Please refer to pages 24–25 for more information	P65	○	○	●	●	●	-	-	-		162.50	195.00
Closing aid for doors Power closing ensures smooth and virtually silent closing. Once they have initially engaged, the front and rear doors are automatically drawn closed by servo motors		883	○	○	○	○	○	○	○	○	○	362.50	435.00
EASY-PACK load securing kit Intelligent solution allowing the load compartment to be used flexibly. Items can be secured to prevent them from slipping. Rails in load compartment floor permit use of telescopic bar, luggage holder and fastening elements. When not in use, the components can be stowed away in a bag under the load compartment floor	Estate only. Not in conjunction with folding bench seat in load compartment (code 844)	942	○	○	○	○	○	-	-	-		245.83	295.00
Folding bench seat in load compartment Folding mechanism allows stowage of the seat below the load compartment floor when not in use. Complete with three-point seat belts and two adjustable head restraints. Finished in ARTICO man-made leather	Estate only. Must be used in conjunction with a compatible child seat. Children must be under the height of 115 cm. Only in conjunction with 19" AMG alloy wheels – 5-twin-spoke design, painted in titanium grey with high-sheen finish (code RTD). Not in conjunction with tow bar (code 550), EASY-PACK load securing kit (code 942), Premium equipment line (code DP0) or Premium Plus equipment line (code DP1)	844	-	-	○	○	-	-	-	-		1,041.66	1,250.00



Optional equipment

Item	Notes	E200/220 d (4MATIC) SE	E350 d & E350 e SE	E200/220 d (4MATIC) AMG Line	E350 d & E350 e AMG Line	Mercedes-AMG E43 4MATIC	Mercedes-AMG E63 4MATIC+	Mercedes-AMG E63 S 4MATIC+	Mercedes-AMG E63 S Edition 1	Basic RRP excl. VAT (£)	Total RRP incl. VAT (£)
<b>Comfort (continued)</b>											
Rear seats – heated	Only in conjunction with leather, nappa leather, AMG nappa leather or AMG Exclusive nappa leather upholstery	872	○	○	○	○	○	○	○	245.83	295.00
Seats – rear, split folding 40:20:40	Standard with Estate	287	○	○	○	○	●	●	●	287.50	345.00
THERMOTRONIC – luxury automatic climate control, rear Automatic climate control system with three climate zones and three climate modes. The driver and front passenger are able to regulate temperature and air distribution independently. Temperature and airflow for the rear can be adjusted separately		561	○	○	○	○	○	○	○	625.00	750.00
<b>Safety and Assistance Systems</b>											
Driving Assistance Plus package Active Blind Spot Assist Active Brake Assist Active Lane Keeping Assist DRIVE PILOT Evasive Steering Assist PRE-SAFE® Impulse Side PRE-SAFE® PLUS	Not in conjunction with AMG performance seats (code 555). Please refer to page 52 for more information	P20	○	○	○	○	○	○	-	1,412.50	1,695.00
Lane Tracking package Active Lane Keeping Assist Blind Spot Assist	Please refer to page 51 for more information	22P	○	○	○	○	○	○	○	495.83	595.00



Item	Notes									Basic RRP excl. VAT (£)	Total RRP incl. VAT (£)		
<b>Communications and In-Car Entertainment</b>													
Burmester® surround sound system 13 speakers and a 9-channel amplifier with total output of 590 W (7 × 50 W and 2 × 120 W)		810	○	○	○	○	○	○	○	○	●	625.00	750.00
COMAND Online system <sup>1</sup> with Media Interface and touchpad In replacement to Garmin® MAP PILOT navigation system: fast hard disk navigation with instructions shown on 12.3-inch high-resolution colour display and in the instrument cluster. Includes 3D views with visualisation of roads and buildings as well as junctions and lane assistants, making it easy for drivers to orientate themselves. Spoken instructions are emitted through vehicle's built-in speakers. WLAN/WiFi hotspot for connecting up to three mobile devices. Car-to-X Communication exchanging the latest traffic information between appropriately equipped vehicles, warns of broken down vehicles and other hazards on the route. Concierge Service, smartphone integration via Android Auto or Apple CarPlay™. Voice-operated control system LINGUATRONIC	Please refer to page 53 for more information	531	○	●	○	●	●	●	●	●	●	1,245.83	1,495.00
Head-up display Virtual colour image (21 × 7 cm) in front of the driver, offering information on navigation, speed, speed limits, cruise control and DISTRONIC settings	Only available with COMAND Online system (code 531)	463	○	○	○	○	○	○	○	○	○	687.50	825.00

● Standard ○ Optional - Not available <sup>1</sup>COMAND Online functionality and Wi-Fi connectivity is dependent on a compatible cellular data connection. Please check with your local Mercedes-Benz Retailer on network compatibility



Item	Notes									Basic RRP excl. VAT (£)	Total RRP incl. VAT (£)		
<b>Communications and In-Car Entertainment (continued)</b>													
Mercedes me connect (Remote Online) Geofencing Parked vehicle locator Remote door locking/unlocking Remote retrieval of vehicle status Vehicle tracker	Remote Online subscription services are limited to three years from initial registration, and can be extended at additional cost. Not available with COMAND Online system (code 531)	11U	○	-	○	-	-	-	-	125.00	150.00		
			○	○	○	○	○	○	○				
			○	○	○	○	○	○	○				
			○	○	○	○	○	○	○				
			○	○	○	○	○	○	○				
			○	○	○	○	○	○	○				
			○	○	○	○	○	○	○				
			○	○	○	○	○	○	○				
Widescreen (12.3-inch) cockpit display	Only available with COMAND Online system (code 531). Please refer to page 53 for more information	464	○	○	○	○	○	●	●	●	412.50	495.00	
Wireless charging and digital vehicle key for smartphone Wireless charging surface integrated into quick stowage tray in front of centre console. Quick establishment of connection between multimedia system and mobile phone via Near Field Communication (NFC). Digital vehicle key for smartphone: access and drive authorisation with a smartphone without a conventional vehicle key. Vehicle can be opened, closed and started with the digital vehicle key which is integrated into the smartphone	Only in conjunction with COMAND Online (code 531). Wireless charging is suitable for smartphones with a diagonal screen size up to six inches. Please refer to <a href="http://www.mercedes-benz-mobile.com/">http://www.mercedes-benz-mobile.com/</a> for full device compatibility. Digital vehicle key for smartphone is free of charge for the first three years and must be activated on Mercedes me. Please refer to the Mercedes me store for pricing information	896+897	○	○	○	○	○	○	○	○	○	208.33	250.00
<b>Service Package</b>													
Service Care Service Care allows you to spread the cost of servicing your new car in the Mercedes-Benz Retailer network. Taking out a Service Care plan ensures your servicing needs are taken care of by fully-trained Mercedes-Benz Technicians with the added benefit of a Mercedes-Benz service history	Price is based on a monthly rate. Example given is for two services taken over 24 months or three services over 36 months. Further payment options are available. New Service Care price applies only to vehicles up to 12 months old prior to first service. Prices correct at time of publication	1	○	○	○	○	○	-	-	-	30.83	37.00	
			-	-	-	-	○	○	○			37.50	45.00





View offers > Saloon  
> Estate



Book a test drive > Saloon  
> Estate



> Find a Retailer



> View the Range Guide

# Mercedes me applications and services<sup>1</sup>

Features available via Mercedes me store: <https://mercedes-benz.com/en/mercedes-me/>

Item	Notes	Notes on pricing and availability
<p>Concierge Services</p> <p>Available through me connect, providing personal support by telephone in the search for interesting locations (POI), restaurants or hotels</p>	<p>Only available with COMAND Online system (code 531)</p>	<p><b>Free of charge for first year</b></p> <p>Extension possible and pricing information available via Mercedes me store</p>
<p>Digital Vehicle Key for Smartphone</p> <p>Access and drive authorisation with a smartphone without a conventional vehicle key.</p> <p>Vehicle can be opened, closed and started with the digital vehicle key which is integrated into the smartphone</p>	<p>Only available with COMAND Online system (code 531), digital vehicle key for smartphone and wireless charging (codes 896+897).</p> <p>Please refer to <a href="http://www.mercedes-benz-mobile.com/">http://www.mercedes-benz-mobile.com/</a> for full device compatibility</p>	<p><b>Free of charge for first three years</b></p> <p>Extension possible and pricing information available via Mercedes me store</p>
<p>In-Car Internet</p> <p>Ability for an in-car internet service and personalised radio. Use the whole world of the internet in your vehicle by using COMAND Online as a Wi-Fi hotspot allowing unlimited access to internet radio. All you need is a Vodafone account with the corresponding data volume</p>	<p>Only available with COMAND Online system (code 531)</p>	<p><b>Available via Mercedes me store</b></p> <p>Please refer to Mercedes me store for pricing information</p>
<p>Live Traffic</p> <p>Using this service allows the reception of up-to-date and precise traffic information for optimised dynamic route guidance and a more accurate estimated time of arrival</p>		<p><b>Free of charge for first three years</b></p> <p>Requires acceptance of Terms and Conditions on Mercedes me connect after first three months.</p> <p>Extension possible and pricing information available via Mercedes me store</p>
<p>Mercedes me connect (Remote Online)</p> <p>Geofencing</p> <p>Parked vehicle locator</p> <p>Remote door locking/unlocking</p> <p>Remote retrieval of vehicle status</p> <p>Vehicle tracker</p>	<p>Not available with COMAND Online system (code 531)</p>	<p><b>Available via Mercedes me store</b></p> <p>Remote Online subscription services are limited to three years from initial registration, and can be extended at additional cost</p>

<sup>1</sup>Extra services available via the Mercedes me account on new E-Class. Terms and Conditions must be agreed to in the Mercedes me portal before activation



View offers [> Saloon](#)  
[> Estate](#)



Book a [> Saloon](#)  
 test drive [> Estate](#)



[> Find a Retailer](#)



[> View the Range Guide](#)

Item	Notes	Notes on pricing and availability
Remote Parking Pilot Allows user to park vehicle via a compatible smartphone	Only available with 360° camera (code P44) and Premium or Premium Plus equipment line (code DPO and DP1). Not available on Mercedes-AMG E 63 and E 63 S 4MATIC+ models (incl. Edition 1)	<b>Available via Mercedes me store</b> Please refer to Mercedes me store for pricing information
Vehicle Settings Personal profile of your favourite settings Remote door locking and unlocking Remote retrieval of vehicle status Send to car function	Only available with COMAND Online system (code 531)	<b>Free of charge for first three years</b> Extension possible and pricing information available via Mercedes me store
Vehicle Monitoring Geofencing Parked vehicle locator Vehicle tracker	Only available with COMAND Online system (code 531)	<b>Available via Mercedes me store</b> Please refer to Mercedes me store for pricing information



View offers [> Saloon](#)  
[> Estate](#)



Book a test drive [> Saloon](#)  
[> Estate](#)



[> Find a Retailer](#)



[> View the Range Guide](#)

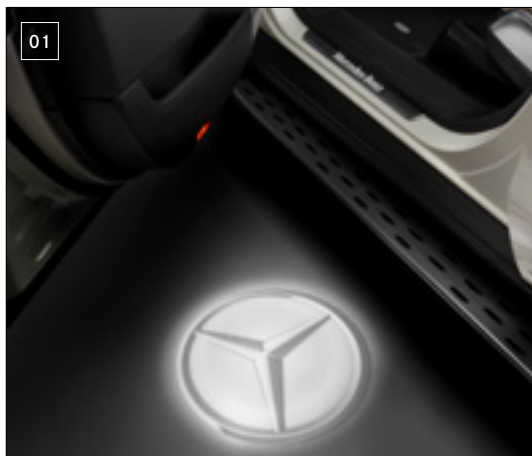
## Genuine Accessories

We've developed a range of Accessories you can add to help personalise and enhance your E-Class. Your local Mercedes-Benz Retailer can advise on fitting costs of Accessories, where applicable. Further information on our full range of Genuine Accessories can be found on the Mercedes-Benz UK website.

### 01 | LED Mercedes star projector

The legendary three-pointed star logo is discreetly projected onto the ground alongside your vehicle every time you open the front driver or passenger door. The star automatically disappears once the doors are closed.

RRP £118.80 (incl. VAT), excluding fitting



### 02 | Valve cap

Black decorative caps for valves. Embossed with Mercedes-Benz star logo embossed. Set of 4.

RRP £15.12 (incl. VAT)



### 03 | Sports pedals

For a sporty look – the pedal covers, in brushed stainless steel, add a sporty, high-quality touch to the interior. Featuring a non-slip rubber stud inlay and compliant with Mercedes-Benz's safety standards.

RRP from £121.20 (incl. VAT), excluding fitting





View offers > Saloon  
> Estate



Book a test drive > Saloon  
> Estate



> Find a Retailer



> View the Range Guide

#### 04 | Shallow boot tub

The boot tub is suitable for transporting shopping. The tub shape with its slightly raised edge is precision-tailored to the load area. Made from impact-resistant, non-slip polypropylene, its structured surface holds the separately available stowage crate in place. Deep boot tub also available.

RRP from £87.60 (incl. VAT)

#### 05 | EASY-PACK boot box

A practical option for storing objects in the boot. When it is not in use, the box can be folded up at the touch of a button and slid beneath the parcel shelf to save space.

RRP £240.00 (incl. VAT), excluding fitting





View offers > Saloon  
> Estate



Book a test drive > Saloon  
> Estate



> Find a Retailer



> View the Range Guide

### 06 | All-season floor mats

Made from robust, washable synthetic material for heavy use. Latest design with recessed areas and raised edge. With distinctive Mercedes star logo. Available in brown, black and beige. Price includes front and rear mats.

RRP £90.12 (incl. VAT)

### 07 | DUO plus child seat, with ISOFIX

'DUO plus' child seat. Optimum safety for children between the ages of around 9 months and 4 years (9 to 18 kg). Fitted as standard with top tether, an additional belt for securing the head section, a height-adjustable harness, ventilation channels and ISOFIX attachment points. Adjustable tilt. Additional seats available for ages 0+ (1 to 13 kg) and 3.5 to 12 years (15 to 36 kg).

RRP £434.83 (incl. VAT)

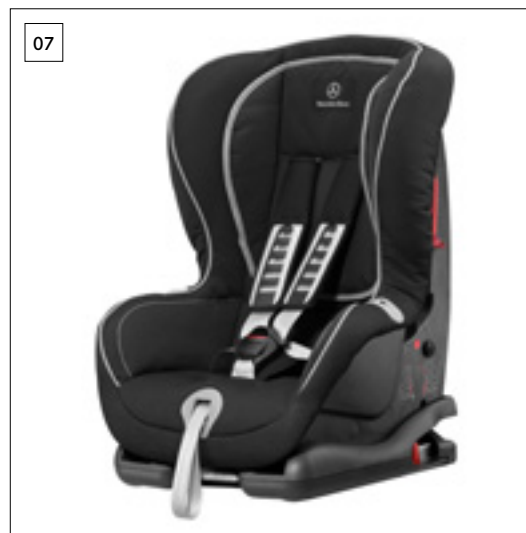
### 08 | Head restraint modular system

Carefree travel with Mercedes-Benz Style & Travel Equipment. The head restraint elements are simple to fit and remove. The modular system centres around a base support which can be combined with a coat hanger, universal hook, folding table and tablet mount.

Base support: RRP £22.32 (incl. VAT)

Coat hanger: RRP £67.60 (incl. VAT)

Folding table: RRP £102.60 (incl. VAT)





View offers

> Saloon

> Estate



Book a test drive

> Saloon

> Estate



> Find a Retailer



> View the Range Guide

### 09 | Roof carrier bars

Aluminium carrier bars, precision-tailored to the body of your Mercedes-Benz – the perfect basis for a range of Mercedes-Benz transport solutions: ski and snowboard rack, bicycle rack or roof boxes.

RRP £207.60 (incl. VAT)

### 10 | Mercedes-Benz roof boxes

An aerodynamic design, tailored to your Mercedes-Benz. In extremely durable material. Designed for quick, optimised attachment to the basic carrier bars. Particularly convenient loading and unloading thanks to the option of double-sided opening. Lockable from both sides. Available in various sizes.

RRP from £361.64 (incl. VAT)

### 11 | Mercedes-Benz complete wheels

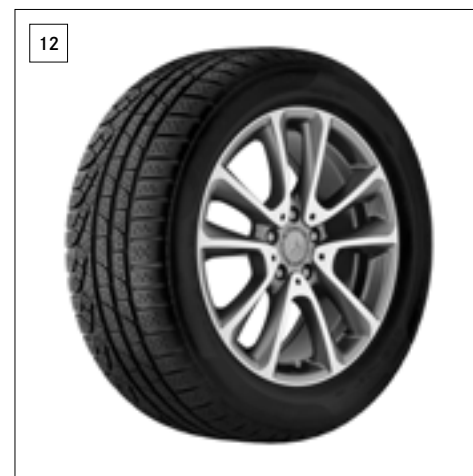
When it comes to complete wheels and tyres, rely on proven Mercedes-Benz quality. You can purchase genuine wheels in a variety of designs together with Mercedes-Benz genuine tyres. 17" alloy wheels (4) – 5-spoke design.

RRP £1,622.40 (incl. VAT), excluding fitting

### 12 | Mercedes-Benz complete wheels

18" alloy wheels (4) – 5-twin-spoke design.

RRP £2,097.60 (incl. VAT), excluding fitting





# Colours and materials

## Non-metallic paints

Standard



149 polar white

No-cost option



040 black

## Metallic paints

Additional-cost option



197 obsidian black



988 diamond silver



775 iridium silver



992 selenite grey



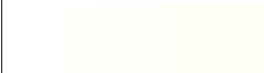
890 cavansite blue



997 kallaite green

## designo metallic paints

Additional-cost option



799 diamond white



996 hyacinth red

## designo magno paints

Additional-cost option



056 night black magno



297¹ selenite grey magno

<sup>1</sup>Standard on Mercedes-AMG E63 S Edition 1 Please note that, owing to limitations of on-screen representation, paint colours may differ from those shown



**SE upholstery**

Leather (standard)

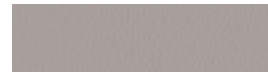


201A black

Leather (no-cost option)



214A hazelnut brown/black



215A macchiato beige/black

**SE trim**

Standard



739 aluminium with trapeze cut

Optional



H09 brown open-pore ash wood



H64 metal weave



736 black open-pore ash wood

**AMG Line upholstery**

ARTICO<sup>1</sup>/DINAMICA<sup>2</sup> (standard)



601A black

Nappa leather (optional)



811A black



824A saddle brown/black

**AMG Line trim**

Standard



736 black open-pore ash wood

Optional



H16 designo piano lacquer,  
black flowing lines



H64 metal weave



739 aluminium with trapeze cut<sup>3</sup>

**Mercedes-AMG E43 4MATIC upholstery**

Nappa leather (standard)

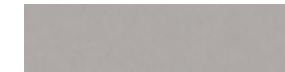


821A black with red  
contrast stitching

Nappa leather (no-cost option)



864A hazelnut brown/black



865A macchiato beige/black

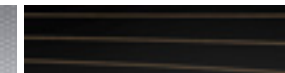
**Mercedes-AMG E43 4MATIC trim**

Standard



739 aluminium with trapeze cut

Optional



H16 designo piano lacquer,  
black flowing lines



H64 metal weave



H73 AMG carbon fibre



736 black open-pore ash wood

<sup>1</sup>ARTICO man-made leather <sup>2</sup>DINAMICA microfibre <sup>3</sup>No-cost option





**Mercedes-AMG E63 4MATIC+ upholstery**

AMG nappa leather (standard)

AMG nappa leather (no-cost opt.)



851A black



854A hazelnut brown/black



855A macchiato beige/black

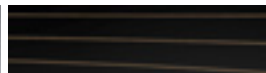
**Mercedes-AMG E63 4MATIC+ trim**

Standard

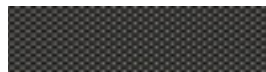
Optional



739 aluminium with trapeze cut



H16 designo piano lacquer,  
black flowing lines



H64 metal weave



H73 AMG carbon fibre



736 black open-pore ash wood

**Mercedes-AMG E63 S 4MATIC+ upholstery**

AMG Exclusive nappa leather (std)

AMG Exclusive nappa leather (opt.)



561A black with grey  
contrast stitching



554A hazelnut brown/black



555A macchiato beige/black

**Mercedes-AMG E63 S 4MATIC+ trim**

Standard

Optional



739 aluminium with trapeze cut



H16 designo piano lacquer,  
black flowing lines



H64 metal weave



H73 AMG carbon fibre



736 black open-pore ash wood

**Mercedes-AMG E63 S 4MATIC+ Edition 1 upholstery**

AMG Exclusive nappa leather (standard)



571A black with yellow  
contrast stitching

**Mercedes-AMG E63 S 4MATIC+ Edition 1 trim**

Standard



H73 AMG carbon fibre



## Trim and upholstery combinations

	SE			AMG Line			Mercedes-AMG E 43 4MATIC		
	Leather (standard)			ARTICO <sup>1</sup> (std)	Nappa leather (optional)		Nappa leather (standard)		
	black (201A)	hazelnut brown/ black (214A)	macchiato beige/ black (215A)	black(601A)	black (811A)	saddle brown/ black (824A)	black with red contrast stitching (821A)	hazelnut brown/ black (864A)	macchiato beige/ black (865A)
<b>Dashboard</b>									
Steering wheel	black	black	black	black	black	black	black	black	black
Upper dashboard trim	black	black	black	black	black	black	black	black	black
Lower dashboard trim	black	hazelnut brown	macchiato beige	black	black	saddle brown	black	hazelnut brown	macchiato beige
<b>Seats</b>									
Seat cushion centre section	black	hazelnut brown	macchiato beige	black	black	saddle brown	black	hazelnut brown	macchiato beige
Side bolster trim	black	hazelnut brown	macchiato beige	black	black	saddle brown	black	hazelnut brown	macchiato beige
Head restraint	black	hazelnut brown	macchiato beige	black	black	saddle brown	black	hazelnut brown	macchiato beige
Seat belt	black	black	black	black	black	black	red	black	black
<b>Doors</b>									
Door trim at beltline	black	black	black	black	black	saddle brown	black	black	black
Door centre panel	black	hazelnut brown	macchiato beige	black	black	black	black	hazelnut brown	macchiato beige
Lower door trim	black	black	black	black	black	black	black	black	black
<b>Roof lining</b>	grey	macchiato beige	macchiato beige	black	black	black	black	black	black
<b>Parcel shelf</b>	black	macchiato beige	macchiato beige	black	black	black	black	black	black
<b>Floor covering</b>									
Front and rear	black	black	black	black	black	black	black	black	black
Boot	black	black	black	black	black	black	black	black	black

<sup>1</sup>ARTICO man-made leather/DINAMICA microfibre





# Combination options

		Leather			ARTICO leather <sup>1</sup> /DINAMICA microfibre	Nappa leather				AMG nappa leather			AMG Exclusive nappa leather			
		black	hazelnut brown/black	macchiato beige/black	black	black/red stitching	hazelnut brown/black	macchiato beige/black	saddle brown/black	black	hazelnut brown/black	macchiato beige/black	black/grey stitching	black/yellow stitching <sup>2</sup>	macchiato beige/black	hazelnut brown/black
<b>Non-metallic paints (standard)</b>																
	040 black	●	●	●	●	●	●	●	●	●	●	●	●	-	●	●
	149 polar white	●	●	○	●	●	●	○	●	●	●	○	●	-	○	●
<b>Metallic paints (optional)</b>																
	197 obsidian black	●	●	●	●	●	●	●	●	●	●	●	●	-	●	●
	775 iridium silver	●	●	●	●	●	●	●	●	●	●	●	●	-	●	●
	890 cavansite blue	●	●	●	●	●	●	○	●	●	●	●	●	-	●	○
	988 diamond silver	●	●	●	●	●	●	●	●	●	●	●	●	-	●	●
	992 selenite grey	●	●	●	●	●	●	●	●	●	●	●	●	-	●	●
	997 kallaite green	●	●	●	●	●	●	●	●	●	●	●	●	-	●	●
<b>designo metallic paints (optional)</b>																
	056 night black magno	-	-	-	-	-	-	-	-	-	-	-	-	●	-	-
	297 <sup>2</sup> selenite grey magno	●	●	●	●	●	●	●	●	●	●	●	●	●	●	●
	799 diamond white	●	●	○	●	●	●	○	●	●	●	○	●	-	○	●
	996 hyacinth red	●	△	●	●	●	△	●	△	●	△	●	●	-	●	△

● Recommended ○ Possible △ Not recommended - Not available <sup>1</sup>ARTICO man-made leather <sup>2</sup>Standard on Mercedes-AMG E 63 S Edition 1  
Please note that, owing to limitations of on-screen representation, paint colours may differ from those shown



## Technical data – Saloon

		Diesel engines			
Model		E 200 d	E 220 d	E 220 d 4MATIC	E 350 d
<b>Engine</b>					
Total displacement	cc	1,950	1,950	1,950	2,987
Arrangement/cylinders/valves		in-line/4/16	in-line/4/16	in-line/4/16	V/6/24
Fuel delivery		Common-rail diesel with twin scroll turbocharger	Common-rail diesel with twin scroll turbocharger	Common-rail diesel with twin scroll turbocharger	Common-rail diesel with turbocharger
Power <sup>1</sup>	hp (kW) at rpm	150 (110)/3,200–4,800	194 (143)/3,800	194 (143)/3,800	258 (190)/3,400
Combustion engine		–	–	–	–
Electric motor		–	–	–	–
System output		–	–	–	–
Torque <sup>1</sup>	Nm at rpm	360/1,400–2,800	400/1,600–2,800	400/1,600–2,800	620/1,600–2,400
Compression ratio		15.5:1	15.5:1	15.5:1	15.5:1
<b>Transmission</b>					
9G-TRONIC PLUS 9-speed automatic		●	●	●	●
<b>Tyre sizes</b>					
Front – SE (AMG Line)		225/55 (245/40) R 17 (R 19)	225/55 (245/40) R 17 (R 19)	225/55 (245/40) R 17 (R 19)	245/45 (245/40) R 18 (R 19)
Rear – SE (AMG Line)		225/55 (275/35) R 17 (R 19)	225/55 (275/35) R 17 (R 19)	225/55 (275/35) R 17 (R 19)	245/45 (275/35) R 18 (R 19)



View offers

> Saloon

> Estate



Book a test drive

> Saloon

> Estate



> Find a Retailer



> View the Range Guide

		Diesel engines			
Model		E 200 d	E 220 d	E 220 d 4MATIC	E 350 d
<b>Performance</b>		auto.	auto.	auto.	auto.
Acceleration 0–62 mph	sec	8.4	7.3	7.5	5.9
Top speed, approx.	mph	139	149	149	155 <sup>2</sup>
<b>Weights and capacities</b>		auto.	auto.	auto.	auto.
Kerb weight	kg	1,680	1,680	1,735	1,800
Perm. GVW	kg	2,320	2,320	2,375	2,440
Load capacity	l	540	540	540	540
Towing capacity – unbraked		750	750	750	750
braked	kg	2,100	2,100	2,100	2,100
Fuel tank capacity/reserve	l	66/7	66/7	66/7	66/7
Turning circle	m	11.60	11.60	11.90	11.60
<b>Fuel consumption<sup>3,4</sup></b>		auto.	auto.	auto.	auto.
Urban	mpg	65.7	65.7	57.7	44.1
Extra-urban <sup>5</sup>		78.5	78.5	68.9	61.4
Combined		72.4	72.4	62.8	54.3

<sup>2</sup>Electronically limited <sup>3</sup>All figures on a standard specification with the smallest tyre size <sup>4</sup>The choice of wheels and transmissions may effect CO<sub>2</sub> emissions and corresponding Road Fund Licence

<sup>5</sup>EUDC: extra-urban driving cycle. Testing procedures adhere to EU directive 93/116



Model		Diesel engines			
		E 200 d	E 220 d	E 220 d 4MATIC	E 350 d
<b>CO<sub>2</sub> emissions<sup>4</sup></b>	g/km	auto.	auto.	auto.	auto.
Emissions standard		EU6	EU6	EU6	EU6
17" 225/55 tyres		102	102	117	-
18" 245/45 tyres		-	-	-	136
18" 275/45 tyres		105	105	120	136
19" 275/35 tyres		112	112	129	144
20" 275/30 tyres		112	112	129	144

**Insurance group ratings**

Base model – SE (AMG Line)	28E (29E)	31E (31E)	32E (33E)	41E (41E)
Incl. Premium equipment line	29E (30E)	31E (32E)	33E (34E)	41E (41E)
Incl. Premium Plus equipment line	29E (30E)	32E (32E)	33E (34E)	41E (41E)

Insurance ratings may vary depending on model line and specification. Please refer to <http://www.thatcham.org/abigrouprating/> for further details

<sup>4</sup>The choice of wheels and transmissions may effect CO<sub>2</sub> emissions and corresponding Road Fund Licence



		Petrol engines			
Model		E 350 e	Mercedes-AMG E 43 4MATIC	Mercedes-AMG E 63 4MATIC+	Mercedes-AMG E 63 S 4MATIC+
<b>Engine</b>					
Total displacement	cc	1,991	2,996	3,982	3,982
Arrangement/cylinders/valves		in-line/4/16	V/6/24	V/8/32	V/8/32
Fuel delivery		Electronically controlled direct injection plus electric motor	Electronically controlled direct injection with biturbo	Electronically controlled direct injection with biturbo	Electronically controlled direct injection with biturbo
Power <sup>1</sup>	hp (kW) at rpm				
Combustion engine		211 (155)/5,500	401 (295)/6,100	571 (420)/5,750–6,500	612 (450)/5,750–6,500
Electric motor		82 (60)/2,000	–	–	–
System output		286 (210)/5,000	–	–	–
Torque <sup>1</sup>	Nm at rpm	350/1,250–4,000	520/2,500–5,000		
Compression ratio		9.8:1	10.7:1	8.6:1	8.6:1
<b>Transmission</b>					
9G-TRONIC PLUS 9-speed automatic		●	●	–	–
AMG SPEEDSHIFT MCT 9-speed sport auto.		–	–	●	●
<b>Tyre sizes</b>					
Front – SE (AMG Line)		245/45 (245/40) R 18 (R 19)	245/40 R 19	265/40 R 19	265/40 R 19
Rear – SE (AMG Line)		275/40 (275/35) R 18 (R 19)	275/35 R 19	295/35 R 19	295/35 R 19





		Petrol engines			
Model		E 350 e	Mercedes-AMG E 43 4MATIC	Mercedes-AMG E 63 4MATIC+	Mercedes-AMG E 63 S 4MATIC+
<b>Performance</b>		auto.	auto.	auto.	auto.
Acceleration 0–62 mph	sec	6.2	4.6	3.5	3.4
Top speed, approx.	mph	155	155 <sup>2</sup>	155 <sup>2</sup>	155 <sup>2</sup>
<b>Weights and capacities</b>		auto.	auto.	auto.	auto.
Kerb weight	kg	1,925	1,840	1,940	1,950
Perm. GVW	kg	2,565	2,415	2,525	2,525
Load capacity	l	400	540	540	540
Towing capacity – unbraked		750	–	–	–
braked	kg	2,100			
Fuel tank capacity/reserve	l	50/7	66/7	66/10	66/10
Turning circle	m	11.60	12.50	12.50	12.50
<b>Fuel consumption<sup>3,4</sup></b>	mpg	auto.	auto.	auto.	auto.
Urban		–	25.7	24.1	24.1
Extra-urban <sup>5</sup>		–	41.5	37.2	37.2
Combined		134.5*	33.6	31.0	31.0

<sup>2</sup>Electronically limited <sup>3</sup>All figures on a standard specification with the smallest tyre size <sup>4</sup>The choice of wheels and transmissions may effect CO<sub>2</sub> emissions and corresponding Road Fund Licence <sup>5</sup>EUDC: extra-urban driving cycle. Testing procedures adhere to EU directive 93/116 \*The manufacturer's stated fuel consumption and electric range figures are based on the legally prescribed NEDC test cycle, which is performed in a laboratory. These are the only figures we are allowed to publish. It is common that differences occur in real driving conditions compared with these certified laboratory values. They result primarily from conditions different from the legally-prescribed laboratory conditions, for example when ambient temperatures differ (the weather is hot, cold, windy, wet), the vehicle is operated under different loads and many other factors. For several years, Mercedes-Benz has fully and actively supported the early introduction of the WLTP (Worldwide Harmonised Light Vehicles Test Procedure) and the measuring procedure for Real Driving Emissions (RDE). This procedure is designed to supersede the NEDC, with the goal of bringing standardised and real-world consumption closer together



View offers > Saloon  
> Estate



Book a test drive > Saloon  
> Estate



> Find a Retailer



> View the Range Guide

		Petrol engines			
Model		E 350 e	Mercedes-AMG E 43 4MATIC	Mercedes-AMG E 63 4MATIC+	Mercedes-AMG E 63 S 4MATIC+
<b>Electric range</b>		auto.	auto.	auto.	auto.
Range in miles		approx. 21*	-	-	-
<b>CO<sub>2</sub> emissions<sup>4</sup></b>	g/km	auto.	auto.	auto.	auto.
Emissions standard		EU6	EU6	EU6	EU6
17" 225/55 tyres		-	-	-	-
18" 245/45 tyres		-	-	-	-
18" 275/45 tyres		49	-	-	-
19" 275/35 tyres		57	-	-	-
20" 275/30 tyres		-	192	207	207

**Insurance group ratings**

Base model – SE (AMG Line)	40E (40E)	42E	tba	tba
Incl. Premium equipment line	40E (41E)	42E	tba	tba
Incl. Premium Plus equipment line	40E (41E)	43E	-	-

Insurance ratings may vary depending on model line and specification. Please refer to <http://www.thatcham.org/abigrouprating/> for further details

<sup>4</sup>The choice of wheels and transmissions may effect CO<sub>2</sub> emissions and corresponding Road Fund Licence \*The manufacturer's stated fuel consumption and electric range figures are based on the legally prescribed NEDC test cycle, which is performed in a laboratory. These are the only figures we are allowed to publish. It is common that differences occur in real driving conditions compared with these certified laboratory values. They result primarily from conditions different from the legally-prescribed laboratory conditions, for example when ambient temperatures differ (the weather is hot, cold, windy, wet), the vehicle is operated under different loads and many other factors. For several years, Mercedes-Benz has fully and actively supported the early introduction of the WLTP (Worldwide Harmonised Light Vehicles Test Procedure) and the measuring procedure for Real Driving Emissions (RDE). This procedure is designed to supersede the NEDC, with the goal of bringing standardised and real-world consumption closer together



View offers > Saloon  
> Estate



Book a test drive > Saloon  
> Estate

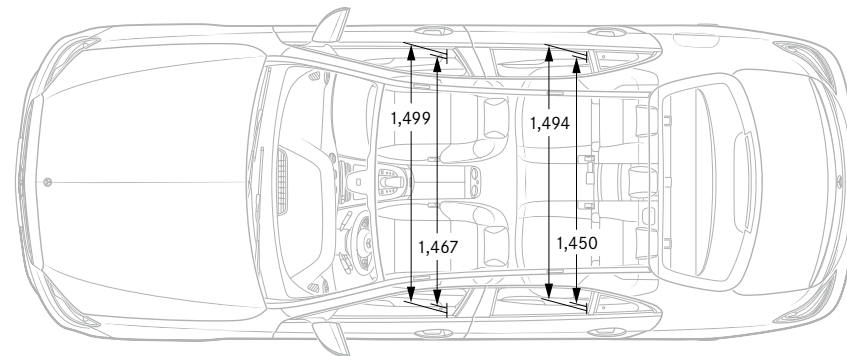
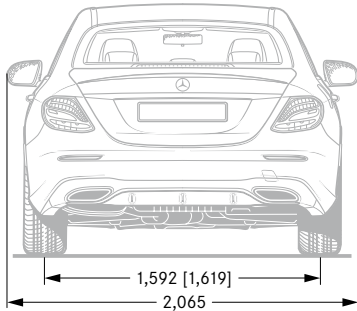
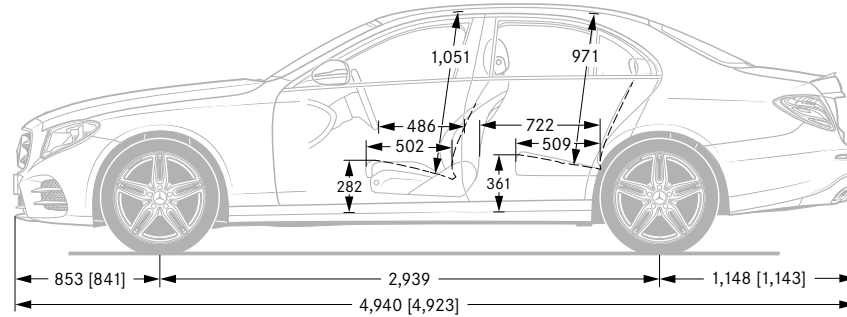
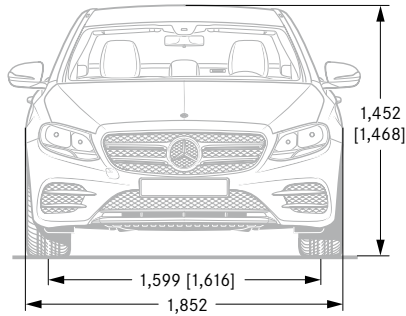


> Find a Retailer



> View the Range Guide

AMG Line [SE]





View offers > Saloon  
> Estate



Book a test drive > Saloon  
> Estate

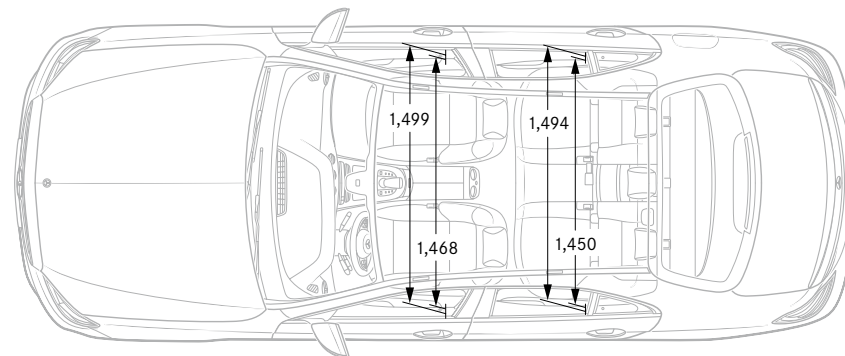
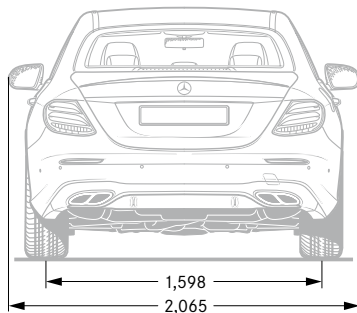
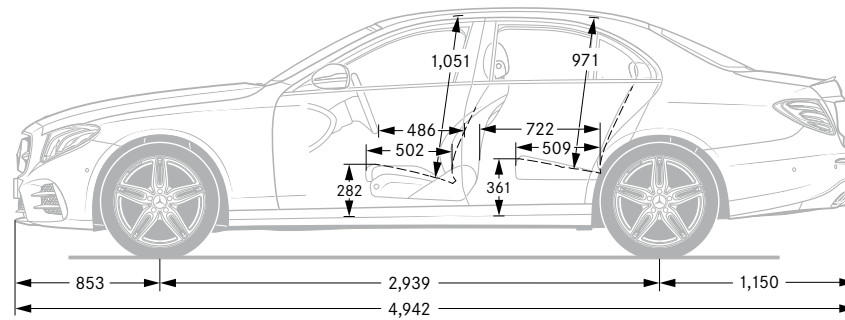
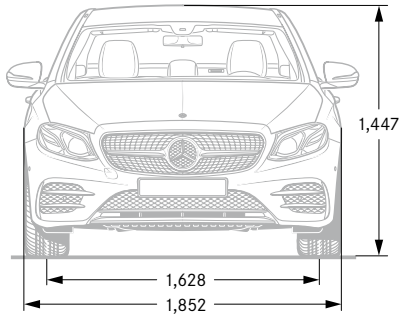


> Find a Retailer



> View the Range Guide

Mercedes-AMG  
E43 4MATIC



All measurements in millimetres. The dimensions are mean values and apply to standard-specification, unladen vehicles. Please note that wheels shown do not form part of standard UK specification



View offers > Saloon  
> Estate



Book a test drive > Saloon  
> Estate

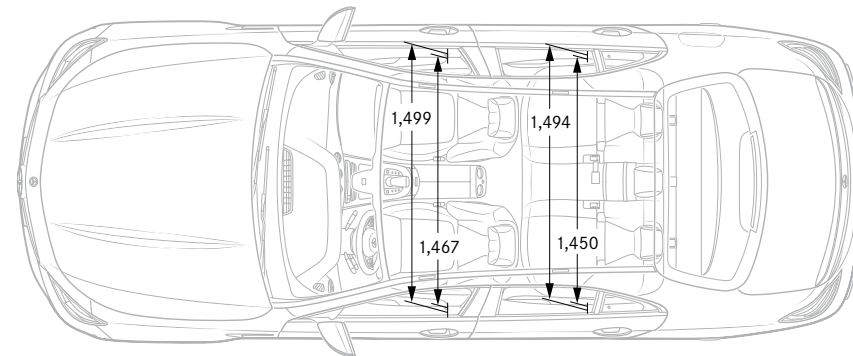
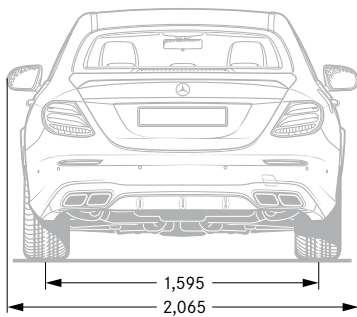
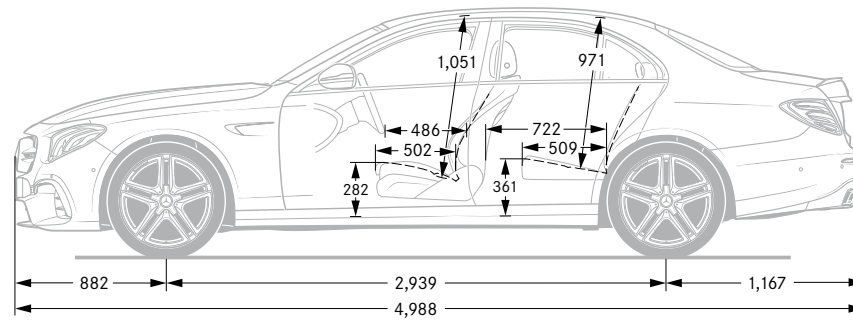
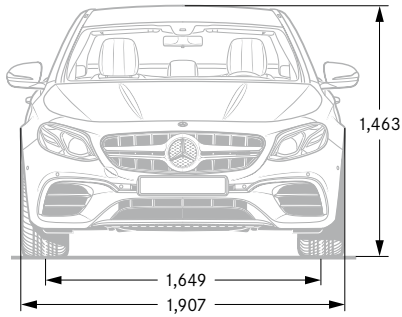


> Find a Retailer



> View the Range Guide

Mercedes-AMG  
E 63/S 4MATIC+



The figures on pages 77–85 are correct at time of publication. Please refer to the government website for latest data – <http://carfueldata.direct.gov.uk/>  
All measurements in millimetres. The dimensions are mean values and apply to standard-specification, unladen vehicles. Please note that wheels shown do not form part of standard UK specification



## Technical data – Estate

Model	Diesel engines				Petrol engine
	E 200 d	E 220 d	E 220 d 4MATIC	E 350 d	Mercedes-AMG E 43 4MATIC
<b>Engine</b>					
Total displacement	cc 1,950	1,950	1,950	2,987	2,996
Arrangement/cylinders/valves	in-line/4/16	in-line/4/16	in-line/4/16	V/6/24	V/6/24
Fuel delivery	Common-rail diesel with twin scroll turbocharger	Common-rail diesel with twin scroll turbocharger	Common-rail diesel with twin scroll turbocharger	Common-rail diesel with twin scroll turbocharger	Electronically controlled direct injection with biturbo
Power <sup>1</sup>	hp (kW) at rpm 150 (110)/3,200–4,800	194 (143)/3,800	194 (143)/3,800	258(190)/3,400	401 (295)/6,100
Torque <sup>1</sup>	Nm at rpm 360/1,400–2,800	400/1,600–2,800	400/1,600–2,800	620/1,600–2,400	520/2,500–5,000
Compression ratio	15.5:1	15.5:1	15.5:1	15.5:1	15.5:1
<b>Transmission</b>					
9G-TRONIC PLUS 9-speed automatic	●	●	●	●	●
<b>Tyre sizes</b>					
Front – SE (AMG Line)	225/55 (245/40) R 17 (R 19)	225/55 (245/40) R 17 (R 19)	225/55 (245/40) R 17 (R 19)	225/55 (245/40) R 17 (R 19)	275/35 R 19
Rear – SE (AMG Line)	225/55 (275/35) R 17 (R 19)	225/55 (275/35) R 17 (R 19)	225/55 (275/35) R 17 (R 19)	225/55 (275/35) R 17 (R 19)	275/35 R 19



View offers > Saloon  
> Estate



Book a test drive > Saloon  
> Estate



> Find a Retailer



> View the Range Guide

Model	Diesel engines				Petrol engine
	E 200 d	E 220 d	E 220 d 4MATIC	E 350 d	Mercedes-AMG E 43 4MATIC
<b>Performance</b>	auto.	auto.	auto.	auto.	auto.
Acceleration 0–62 mph	sec 8.7	7.7	7.8	6.0	4.7
Top speed, approx.	mph 135	146	145	155 <sup>2</sup>	155 <sup>2</sup>
<b>Weights and capacities</b>	auto.	auto.	auto.	auto.	auto.
Kerb weight	kg 1,780	1,780	1,855	1,890	1,930
Perm. GVW	kg 2,450	2,450	2,525	2,560	2,505
Load capacity	l 640–1,820	640–1,820	640–1,820	640–1,820	640–1,820
Towing capacity – unbraked	750	750	750	750	750
braked	kg 2,100	2,100	2,100	2,100	2,100
Fuel tank capacity/reserve	l 66/7	66/7	66/7	66/7	66/7
Turning circle	m 11.60	11.60	11.90	11.60	12.50
<b>Fuel consumption<sup>3,4</sup></b>	mpg auto.	auto.	auto.	auto.	auto.
Urban	62.8	62.8	53.3	42.8	25.5
Extra-urban <sup>5</sup>	72.4	72.4	62.8	57.7	39.8
Combined	67.3	67.3	57.7	51.4	32.8

<sup>2</sup>Electronically limited <sup>3</sup>All figures on a standard specification with the smallest tyre size <sup>4</sup>The choice of wheels and transmissions may effect CO<sub>2</sub> emissions and corresponding Road Fund Licence

<sup>5</sup>EUDC: extra-urban driving cycle. Testing procedures adhere to EU directive 93/116



View offers > Saloon  
> Estate



Book a test drive > Saloon  
> Estate



> Find a Retailer



> View the Range Guide

Model	Diesel engines				Petrol engine
	E 200 d	E 220 d	E 220 d 4MATIC	E 350 d	Mercedes-AMG E 43 4MATIC
<b>CO<sub>2</sub> emissions<sup>4</sup></b>	g/km	auto.	auto.	auto.	auto.
Emissions standard	EU6	EU6	EU6	EU6	EU6
17" 225/55 tyres	109	109	126	-	-
18" 245/45 tyres	-	-	-	143	-
18" 275/45 tyres	112	112	129	143	-
19" 275/35 tyres	120	120	137	151	197
20" 275/30 tyres	120	120	137	151	197

**Insurance group ratings**

Base model – SE (AMG Line)	28E (29E)	31E (31E)	tba (tba)	41E (41E)	42E
Incl. Premium equipment line	29E (30E)	31E (32E)	tba (tba)	41E (41E)	42E
Incl. Premium Plus equipment line	29E (30E)	32E (32E)	tba (tba)	41E (41E)	43E

Insurance ratings may vary depending on model line and specification. Please refer to <http://www.thatcham.org/abigrouprating/> for further details

<sup>4</sup>The choice of wheels and transmissions may effect CO<sub>2</sub> emissions and corresponding Road Fund Licence





View offers > Saloon  
> Estate



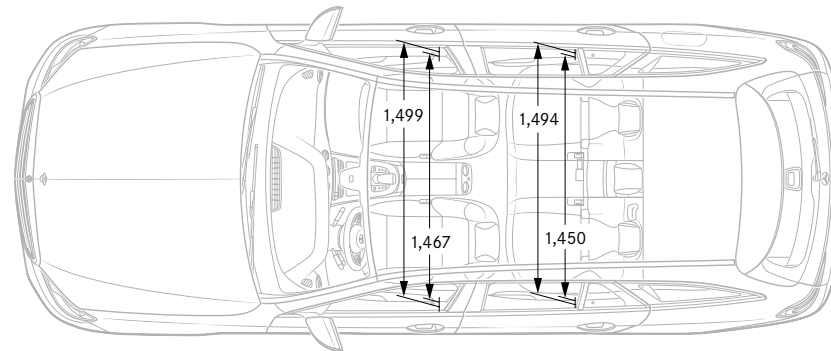
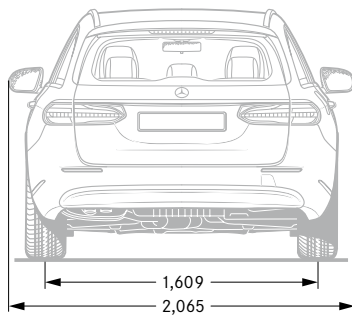
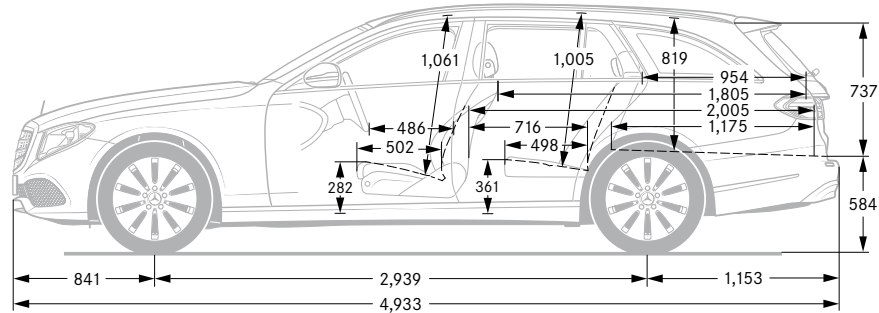
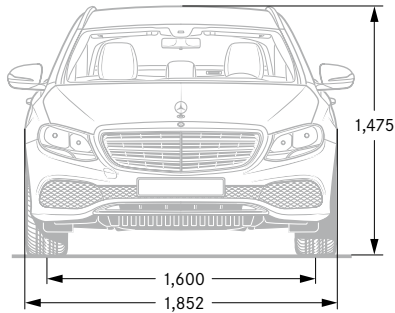
Book a test drive > Saloon  
> Estate



> Find a Retailer



> View the Range Guide





View offers > Saloon  
> Estate



Book a test drive > Saloon  
> Estate



> Find a Retailer



> View the Range Guide

# Road Fund Licence



All road vehicle registrations are subject to Vehicle Excise Duty (Road Fund Licence), which varies in accordance with the vehicle's CO<sub>2</sub> emissions. A first year rate for each taxation band will apply. The table below shows the bands (A–M) created by the DVLA and the corresponding Road Fund Licence. CO<sub>2</sub> emissions are listed in the technical data on pages 79 and 88, and the relevant Excise Duty is reflected in the on-the-road prices on pages 7–9.

Band	CO <sub>2</sub> emissions	First year rate (£)	Standard rate (£)	Premium rate (£) <sup>1</sup>
A	0 g/km	0.00	0.00	310.00
B	1 to 50 g/km	10.00	140.00	450.00
C	51 to 75 g/km	25.00	140.00	450.00
D	76 to 90 g/km	100.00	140.00	450.00
E	91 to 100 g/km	120.00	140.00	450.00
F	101 to 110 g/km	140.00	140.00	450.00
G	111 to 130 g/km	160.00	140.00	450.00
H	131 to 150 g/km	200.00	140.00	450.00
I	151 to 170 g/km	500.00	140.00	450.00
J	171 to 190 g/km	800.00	140.00	450.00
K	191 to 225 g/km	1,200.00	140.00	450.00
L	226 to 255 g/km	1,700.00	140.00	450.00
M	over 255 g/km	2,000.00	140.00	450.00

<sup>1</sup>Premium rate only applicable to vehicles where the list price is over £40,000 including any factory-fitted options, standard UK delivery charge, number plates, fuel and VAT



View offers

> Saloon

> Estate



Book a  
test drive

> Saloon

> Estate



> Find a Retailer



> View the Range Guide

# Services and insurance

## Mercedes-Benz Service Care

We believe that servicing costs should be as flexible and affordable as possible for your E-Class, which is why we offer Service Care, an easy way to budget for all your servicing costs. It spreads your bills into manageable payments based on whether you have a new or used Mercedes-Benz.

With Service Care we guarantee the price of parts and labour for up to three services and safeguard against any further inflation. It also covers the cost of all recommended service items including brake fluid, spark plugs, air filters, fuel filters and screen wash.

You can choose either to add your servicing costs into your monthly spend or pay the full amount in a one-off payment, giving you peace of mind that they are taken care of for the period of the plan.

To receive a personalised Service Care plan recommendation visit the Service Care Calculator at [servicecarerates.mercedes-benz.co.uk](http://servicecarerates.mercedes-benz.co.uk)

## Warranty and breakdown cover

Every Mercedes-Benz comes with a three-year unlimited mileage warranty against manufacturing or material defects<sup>1</sup> and up to 30 years warranty against perforation due to corrosion from the inside out.<sup>2</sup> What's more, it's also covered by Mercedes-Benz Roadside Assistance – a unique package comprising up to 30 years pan-European breakdown assistance.<sup>2</sup>

## Insurance

Since our name is synonymous with reliability, who better to trust with your motor insurance? Mercedes-Benz Insurance provides a motor insurance policy specifically designed to give you the cover you would expect from Mercedes-Benz. For a motor insurance quotation, call **0345 600 2180**.\*

<sup>1</sup>Applies to vehicles sold by Mercedes-Benz in the UK to its franchised Retailers <sup>2</sup>Subject to full Terms and Conditions, dependent on date of registration, available upon request Mercedes-Benz Motor Insurance is underwritten by Aviva Insurance UK Limited. Credit provided, subject to status, by Mercedes-Benz Financial Services UK Ltd, MK15 8BA \*For joint protection, calls may be recorded and/or monitored. All calls charged at local rate. We may decline to quote in some circumstances



View offers  
➤ Saloon  
➤ Estate



Book a  
test drive  
➤ Saloon  
➤ Estate



➤ Find a Retailer



➤ View the Range Guide

# Mercedes me – the Mercedes that thinks and acts for you

Mercedes me contains a package of innovative services and lifestyle offers that connect you to your car via your desktop, tablet or smartphone using an app. Fitting effortlessly into your daily routine, it provides a wealth of information relevant to you and your Mercedes. It also assists you in the event of a breakdown or an accident.

## Mercedes me Live Traffic Information

Live Traffic Information is part of COMAND Online (standard or optional, depending on model).

- **Live Traffic Information** – provides real-time traffic information for dynamic route planning for the first three years from vehicle registration.

In order to access this service, you are required to set up a Mercedes me account, assign your vehicle to your online account and accept the Terms of Use. Your local Retailer will be able to assist and guide you through the registration process. Once your subscription expires after three years, the services of Live Traffic Information can be extended up to three years at an additional charge (1 year = £39.00, 2 years = £69.00, 3 years = £89.00).



View offers

> Saloon

> Estate



Book a  
test drive

> Saloon

> Estate



> Find a Retailer



> View the Range Guide

## Mercedes me Vehicle Set-up package

Standard on all models with COMAND Online. Available to purchase for an additional £69.00 (incl. VAT) for all other models.

- **Personal profile** – store your preferences, such as your favourite radio stations and apps, to create your personal driver profile.
- **Trip information and vehicle status** – get remote access to the vehicle's trip data such as fuel level, mileage, condition of brake pads and tyre pressure.
- **Remote door locking and unlocking** – lock and unlock your car remotely, wherever you are in the world.
- **Send to Car** – search for destinations on your smartphone, tablet or desktop, then send the routes direct to your car for navigation.

## Mercedes me Vehicle Monitoring package

Available to purchase for an additional £69.00 (incl. VAT) for all models (including new E-Class).

- **Geofencing** – set up a geographical boundary and receive alerts whenever your car enters or leaves this area.
- **Vehicle Tracker** – track the location of your car anywhere in the world.
- **Parked Vehicle Locator** – locate your parked vehicle within a range of one mile and plot a route back to it.

To find out more about Mercedes me services and applications, visit the Mercedes me connect store <https://shop.mercedes-benz.com/en-gb/connect> or contact your local Retailer.



View offers

> Saloon

> Estate



Book a  
test drive

> Saloon

> Estate



> Find a Retailer



> View the Range Guide

# Mercedes-Benz Finance

## Why should you finance with Mercedes-Benz?

At Mercedes-Benz we believe a great driving experience should be matched by an equally great ownership experience. That is why we put just as much thought, time and effort into designing our finance options, our service plans and our insurance cover as we do into our vehicles.

We are not in the business of simply providing a loan to fund the purchase of your dream vehicle. We look on it as a journey that we take with you, from the moment you choose your new Mercedes-Benz, to helping you in choosing your next one.

If you would like to find out more about any of our current offers, simply call into your local Mercedes-Benz Retailer where one of our Business Managers will be more than happy to talk you through anything you need to know.

## Helping you find the right solution.

You should find our finance packages are more convenient than a traditional personal loan because:

- Funds are immediately available – no waiting for cheques or loans to clear.
- There is no security required – either against your home or other assets.
- We have clear and transparent rates – the APR we quote is the APR you get.
- We have friendly Business Managers – experts in vehicle finance who can talk you through all of your plans in detail.

One of our most popular finance products is Mercedes-Benz Agility (our Personal Contract Purchase product). We also offer Contract Hire, Operating Lease and Hire Purchase solutions. If you would like to find out more about these speak to your Retailer or visit [www.mercedes-benz.co.uk/fandi](http://www.mercedes-benz.co.uk/fandi).

## Mercedes-Benz Agility (our PCP product).

At the start of an Agility agreement, you put down a deposit and decide the term of your agreement and your annual mileage. You will be advised of the Guaranteed Future Value, which offers you the reassurance of knowing exactly what you will need to pay to own the vehicle outright in the future (this is known as the Optional Purchase Payment).

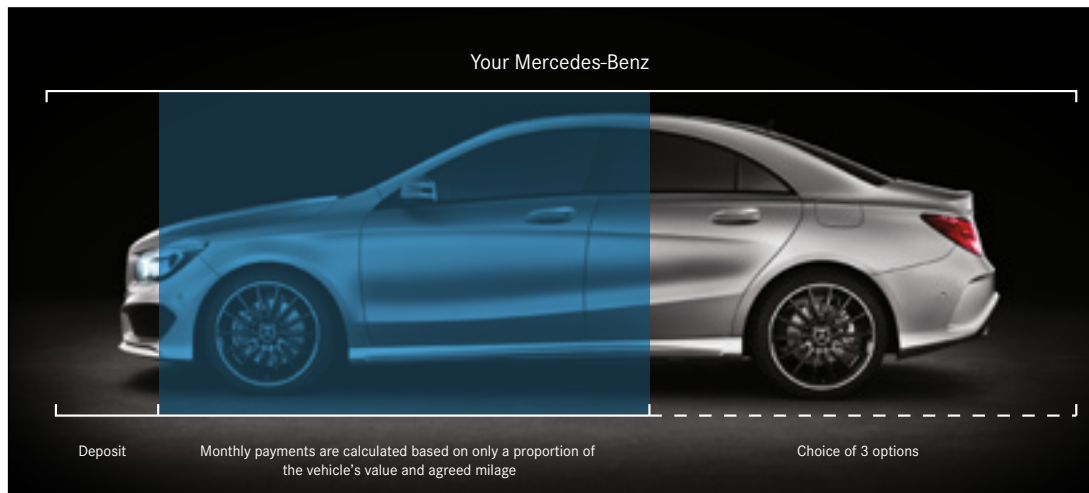
Throughout your agreement you simply pay your agreed monthly payments and when the agreement comes to an end you either purchase, hand back or part-exchange your vehicle.





## Agility features:

- Fixed regular payments mean you can easily budget.
- Payments are based only on a proportion of the vehicle's value, keeping your monthly payments lower.
- Our Guaranteed Future Value avoids the risk of unplanned depreciation of your vehicle.
- You defer your ownership decision until the end of the agreement.



## At the end of your agreement you have three options to choose from.

### Option 1: Purchase your Mercedes-Benz.

Purchase your Mercedes-Benz by paying the Optional Purchase Payment and Purchase Activation Fee.<sup>1</sup> This will complete the purchase of your Mercedes-Benz, leaving you free to simply enjoy your vehicle.

### Option 2: Hand back your Mercedes-Benz.

If you decide to return your vehicle to us, it must be in line with our Vehicle Return Standards,\* as vehicle condition, excess mileage and other charges may be payable.

### Option 3: Part-Exchange for a new vehicle.

Purchase your Mercedes-Benz by paying the Optional Purchase Payment and Purchase Activation Fee.<sup>1</sup> This will complete the purchase of your Mercedes-Benz, leaving you free to part-exchange for a new vehicle.

<sup>1</sup>Please note the 'Purchase Activation Fee' of £10 will be debited from your account \*To find out more information about our Vehicle Return Standards please visit <http://mercedes-benz.co.uk/vrs>



View offers

> Saloon

> Estate



Book a test drive

> Saloon

> Estate



> Find a Retailer



> View the Range Guide

# Chargemaster Homecharge – simple steps to effortless charging

When you purchase a Mercedes-Benz plug-in vehicle we recommend Chargemaster, our preferred charging partner. The 3.6 kW Chargemaster Homecharge allows you to charge your electric car in just 2 hours.<sup>1</sup>

## Key benefits of the 3.6 kW Chargemaster Homecharge:

60% faster than a 13 A plug<sup>1</sup>

Ergonomic styling, robust and weatherproof, for indoor or outdoor use

Designed for users with a domestic address and off-street parking

Available with £500 OLEV Electric Vehicle Homecharge Scheme (EVHS) Grant (for eligible customers only)<sup>2</sup>

Key-controlled access for added security

POLAR plus network card providing access to the UK's largest public charging infrastructure, with over 5,000 charging points

Three year product warranty included

HOMECHARGE 3.6 kW: **£279\*** inc. VAT & installation



## Simple steps to Chargemaster Homecharge:

- Fill in the application form at [www.chargemasterplc.com](http://www.chargemasterplc.com)
- Chargemaster will contact you to discuss your household electrics and arrange for specialist installation within two weeks

For further information please contact:

**[mercedes-benz@chargemasterplc.com](mailto:mercedes-benz@chargemasterplc.com)** or call **01582 399 412**



Chargemaster is the UK's leading provider of domestic charging solutions, trusted by more than 50,000 users across the UK and Europe. Manufactured in the UK, Chargemaster offers a wide range of installation services, choice of power output, and flexible data and security options to suit your requirements.

<sup>1</sup>Based on 3.6 kW power output for plug-in hybrid vehicles

<sup>2</sup>The Chargemaster Homecharge £500 Grant (including VAT) is only available to customers who meet the criteria of the Office of Low Emission Vehicles (OLEV) and is provided and installed by Chargemaster plc. For full details and eligibility criteria for the OLEV EVHS Grant, see <https://www.gov.uk/government/publications/electric-vehicle-homecharge-scheme-guidance-for-customers-version-21>. For full Chargemaster Homecharge Terms & Conditions visit [https://chargemasterplc.com/terms\\_conditions](https://chargemasterplc.com/terms_conditions)

\*Price includes £500 OLEV EVHS Grant. Price correct at time of publication, subject to change





View offers  
➤ Saloon  
➤ Estate



Book a  
test drive  
➤ Saloon  
➤ Estate





➤ Find a Retailer





➤ View the Range Guide

Follow us on the following social media channels:

 [facebook.com/mercedesbenzuk](https://facebook.com/mercedesbenzuk)

 [twitter.com/mercedesbenzuk](https://twitter.com/mercedesbenzuk)

 [youtube.com/mercedesbenzuk](https://youtube.com/mercedesbenzuk)

 [instagram.com/mercedesbenzuk](https://instagram.com/mercedesbenzuk)

Effective from 21 March 2017 Production. Information correct at time of publication.

Prices and specifications are subject to change without prior notice.

MBWS213PL/0417

Mercedes-Benz Cars UK Limited, Tongwell, Milton Keynes, MK15 8BA. Company number 2448457 [www.mercedes-benz.co.uk](http://www.mercedes-benz.co.uk)